

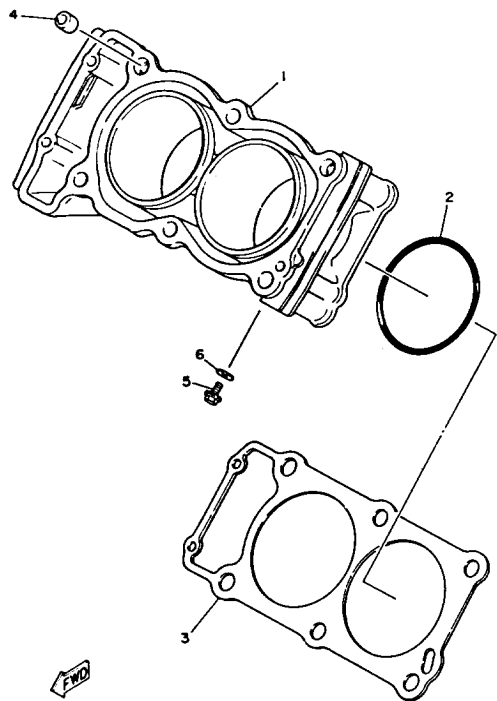
**YAMAHA**

**GENUINE**

**PARTS CATALOGUE**

**MOTORCYCLE**

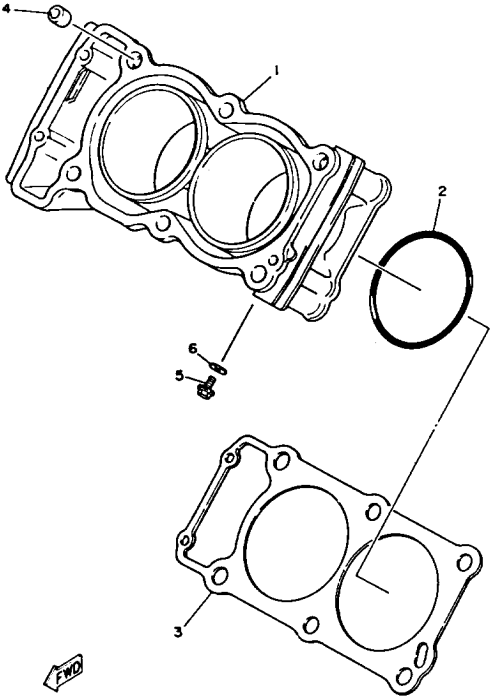
# CYLINDER



3LD1351-9020

Ref. No.	Part Number	Description	Qty	Remarks
1	3VD-11101-00-00	CYLINDER HEAD ASSEMBLY	1	
2	3LD-11133-10-00	. GDE, INTK VLV 1 O/S	6	
3	3LD-11134-10-00	. GDE, EXST VLV 1 O/S	4	
4	93440-10109-00	. CIRCLIP	10	
5	99510-08016-00	. PIN, DOWEL	8	
6	90340-18101-00	. PLUG, STRAIGHT SCREW	2	
7	90105-06153-00	. BOLT, WASHER BASED	16	
8	90116-08321-00	. BOLT, STUD	4	
9	90338-10150-00	. PLUG	2	
10	NGK-DPR9E-A9-00	NGK DPR9EA-9 10 PK	2	
11	90201-103M4-00	WASHER, PLATE	6	
12	90179-10414-00	NUT	6	
13	91316-06150-00	BOLT, SOCKET HEAD	2	
14	95026-08012-00	BOLT, FLANGE	1	
15	90430-08143-00	GASKET	1	
16	3VD-11181-01-00	GASKET, CYLINDER HEAD 1CYLINDER HEAD 1	1	
17	3VD-Y1119-00-00	COVER ASSEMBLY, CYLINDERCYLINDER HEAD	1	
18	3LD-11193-00-00	. GASKET, HD.COVER 1	1	
19	3LD-11160-02-00	. BREATHER ASSEMBLY	1	
20	98511-04006-00	. SCREW, PAN HEAD (98501-04005)	2	
21	92901-04100-00	. WASHER, SPRING	2	
22	90109-064F0-00	BOLT	4	
23	90209-11262-00	WASHER	4	
24	2GH-1111G-00-00	RUBBER, MOUNT 1	4	

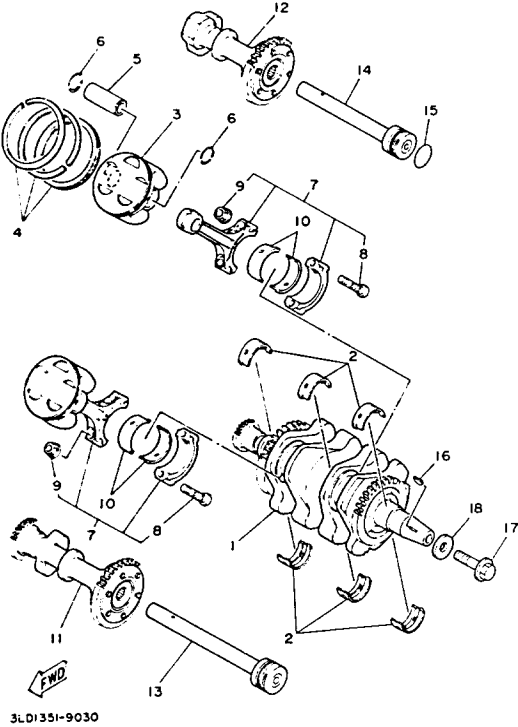
# CYLINDER



3L.D1351-9020

Ref. No.	Part Number	Description	Qty	Remarks
1	3VD-11310-00-00	CYLINDER .....	1	
2	93210-90785-00	O-RING .....	2	
3	3VD-11351-00-00	GASKET, CYLINDER .....	1	
4	99530-14016-00	PIN, DOWEL .....	2	
5	90153-06045-00	SCREW, HEXAGON .....	1	
6	90430-06014-00	GASKET .....	1	

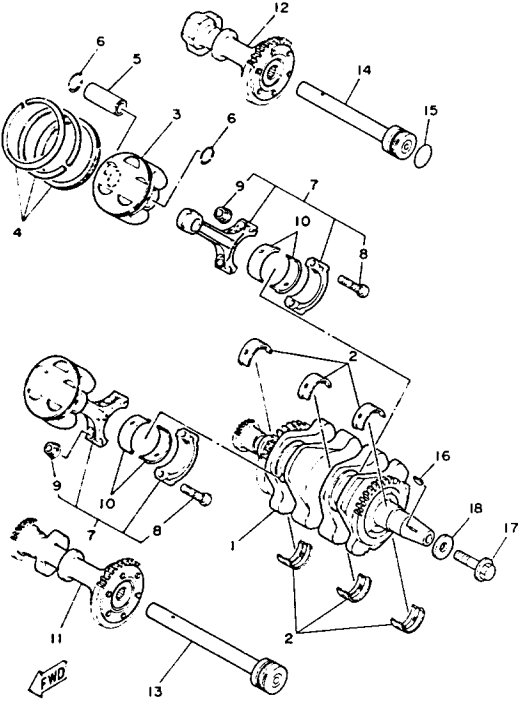
# CRANKSHAFT - PISTON



Ref. No.	Part Number	Description	Qty	Remarks
1	3VD-11400-02-00	CRANKSHAFT ASSEMBLY ...	1	
2	3LD-11416-00-00	PLANE BRNG, CRSF 1CRANKSHAFT 1 .....	6	UR BLUE
	3LD-11416-10-00	PLANE BRNG, CRSF 1CRANKSHAFT 1 .....	6	UR BLACK
	3LD-11416-20-00	PLANE BRNG, CRSF 1CRANKSHAFT 1 .....	6	UR BROWN
	3LD-11416-30-00	PLANE BRNG, CRSF 1CRANKSHAFT 1 .....	6	UR GREEN
	3LD-11416-40-00	PLANE BRNG, CRSF 1CRANKSHAFT 1 .....	6	UR YELLOW
	3LD-11416-50-00	PLANE BRNG, CRSF 1CRANKSHAFT 1 .....	6	UR PINK
	3LD-11416-60-00	PLANE BRNG, CRSF 1CRANKSHAFT 1 .....	6	UR RED
3	3VD-11631-00-00	PISTON STD (STD) .....	2	
	3VD-11636-00-00	PISTON 2 O/S 0.50 (0.50MM O/S) .....	2	AP
	3VD-11638-00-00	PISTON 4 O/S 1.00 (1.00MM O/S) .....	2	AP
4	3VD-11610-00-00	PISTON RING SET (STD) .....	2	
	3VD-11610-20-00	PISTON RING SET (0.50MM O/S) .....	2	AP
	3VD-11610-40-00	PISTON RING SET (1.00MM O/S) .....	2	AP
5	3LD-11633-00-00	PIN, PISTON .....	2	
6	93450-22027-00	CIRCLIP .....	4	
7	3VD-11650-00-00	CONNECTING ROD ASSEMBLY	2	
8	3LD-11654-00-00	. BOLT, CON ROD .....	2	
9	90179-09379-00	. NUT, SPEC'L SHAPE .....	2	
10	3LD-11656-00-00	PLANE BEARING, CONNECTING ROD .....	4	UR BLUE

CONTINUED ON NEXT FRAME ➤

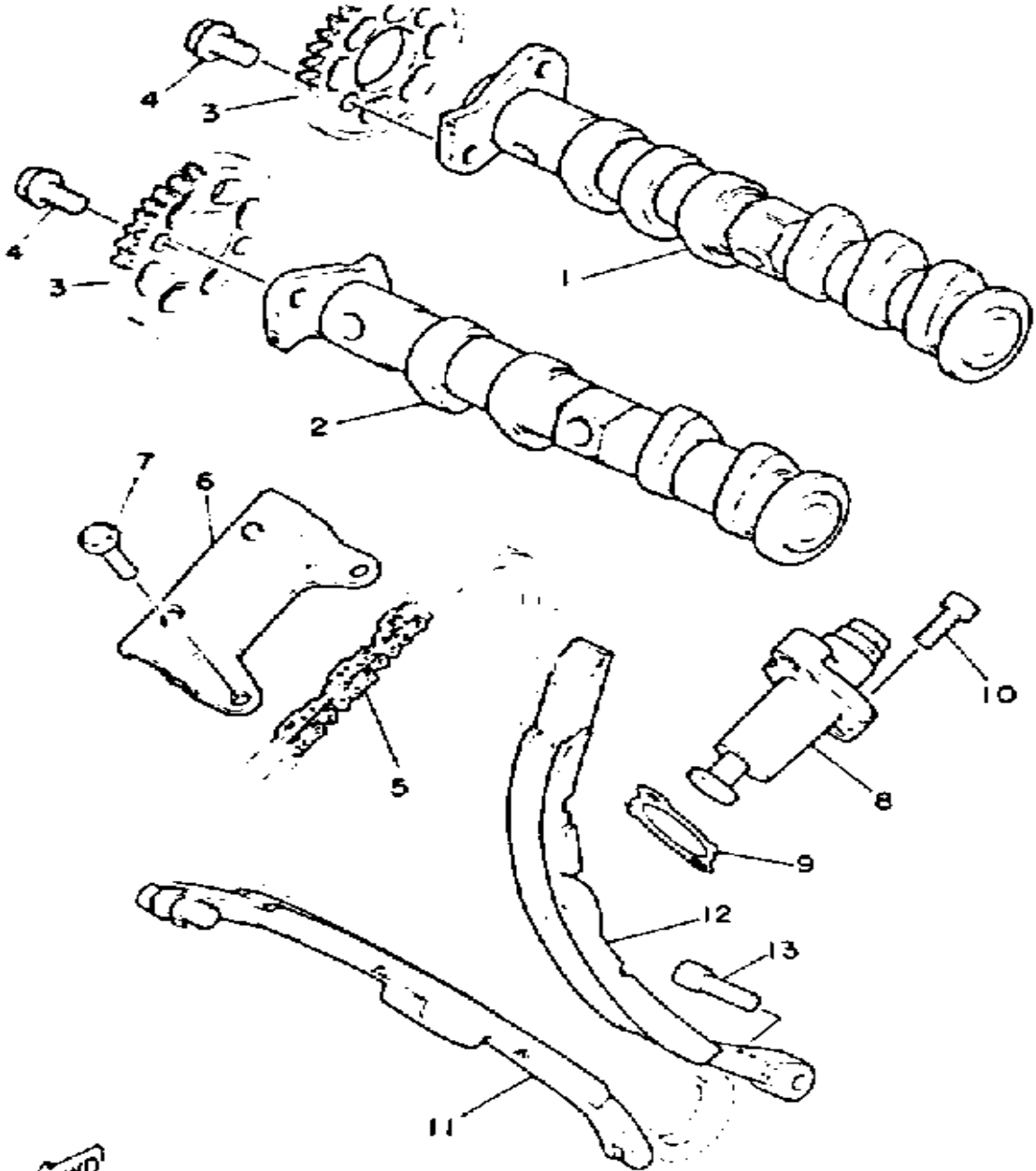
# CRANKSHAFT - PISTON



3LD1351-9030

Ref. No.	Part Number	Description	Qty	Remarks
10	3LD-11656-10-00	PLANE BEARING, CONNECTING ROD .....	4	UR BLACK
	3LD-11656-20-00	PLANE BEARING, CONNECTING ROD .....	4	UR BROWN
	3LD-11656-30-00	PLANE BEARING, CONNECTING ROD .....	4	UR GREEN
11	3LD-11500-00-00	BALANCER ASSEMBLY .....	1	
12	3VD-11510-00-00	BALANCER ASSEMBLY., 2 ...	1	
13	3LD-11583-00-00	SHAFT, BALANCER 1 .....	1	
14	3LD-11584-00-00	SHAFT, BALANCER 2 .....	1	
15	93210-30660-00	O-RING .....	1	
16	90280-05029-00	KEY, WOODRUFF .....	1	
17	90105-12584-00	BOLT, WASHER BASED .....	1	
18	90201-121H0-00	WASHER, PLATE .....	1	

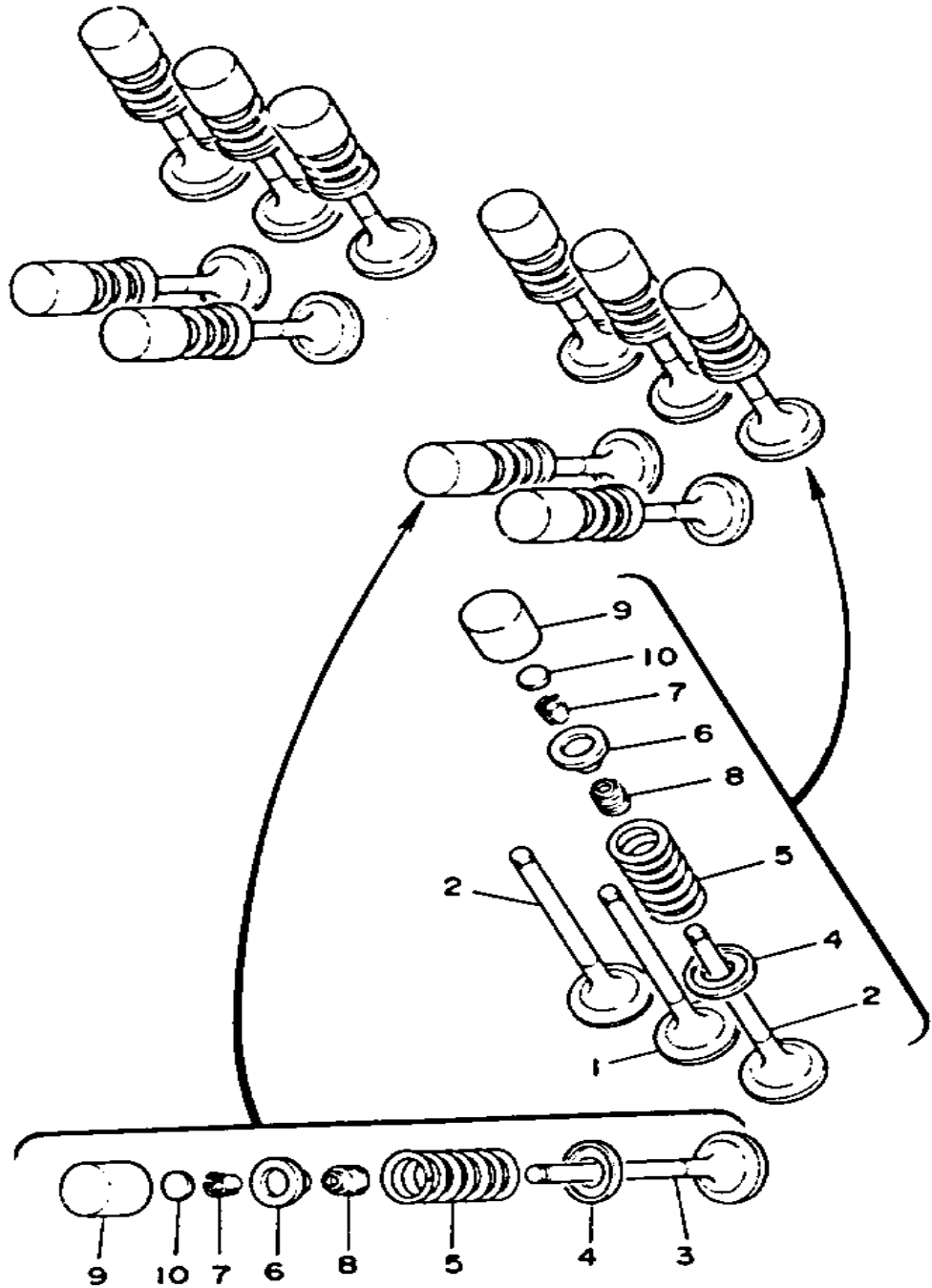
# CAMSHAFT - CHAIN



Ref. No.	Part Number	Description	Qty	Remarks
1	3LD-12171-00-00	CAMSHAFT 1 .....	1	
2	3LD-12181-00-00	CAMSHAFT 2 .....	1	
3	3LD-12176-00-00	SPROCKET, CAM CHAIN .....	2	
4	90105-07342-00	BOLT, WASHER BASED .....	4	
5	94591-40138-00	CHAIN (82RH2015-138L) .....	1	
6	3LD-12241-00-00	GUIDE, STOPPER 2 .....	1	
7	97026-06012-00	BOLT .....	1	
8	3VD-12210-00-00	TENSNR ASSEMBLY, CAM CHNCAM CHAIN .....	1	
9	3VD-12213-00-00	GASKET, TENSNR CASETENSIONER CASE .....	1	
10	91316-06025-00	BOLT .....	2	
11	3LD-12251-00-00	DAMPER, CHAIN 1 .....	1	
12	3LD-12252-00-00	DAMPER, CHAIN 2 .....	1	
13	3LD-12247-00-00	SHAFT, TENSIONER .....	1	

FWD  
3LD1351-9090

# VALVE



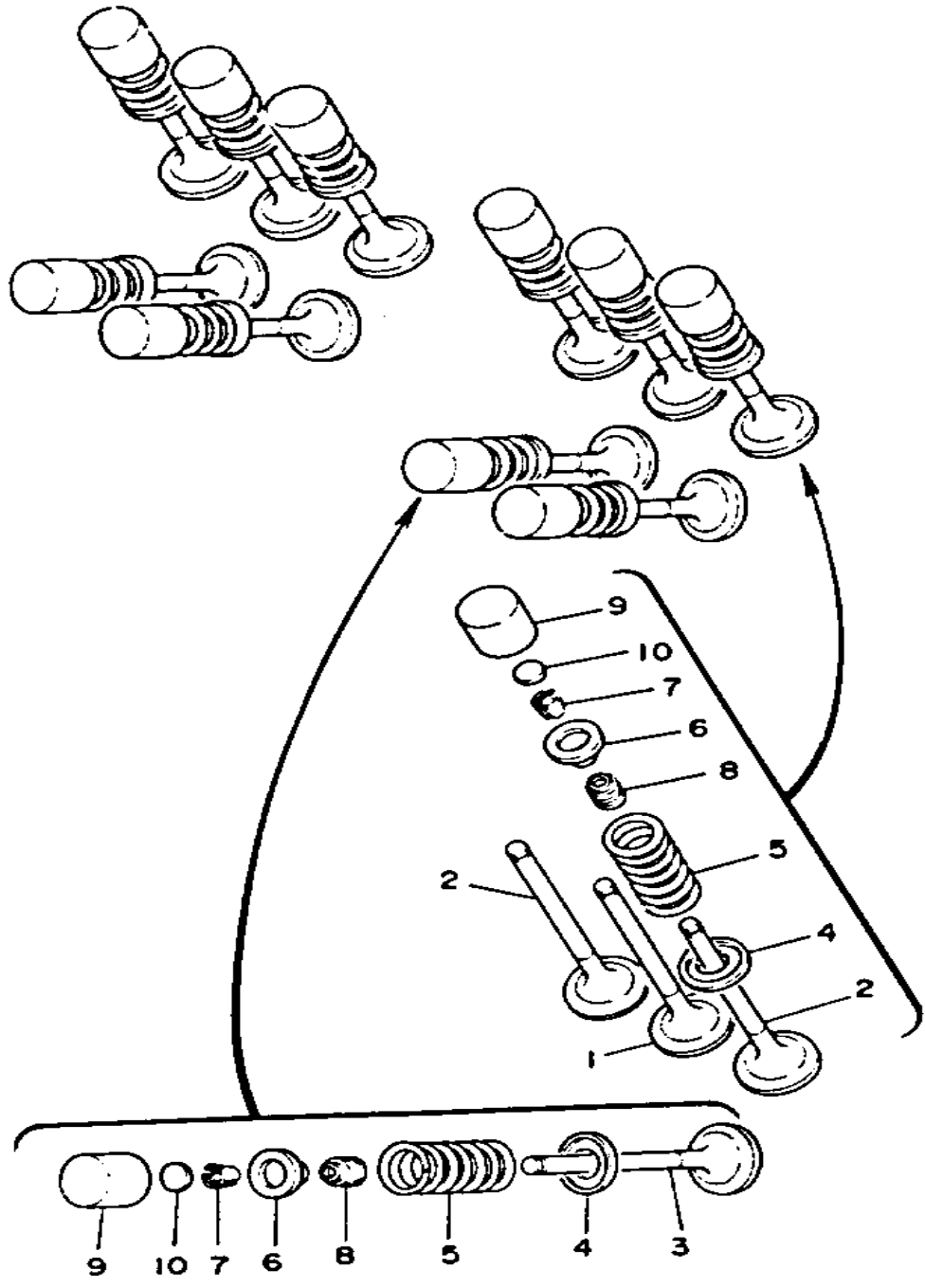
Ref. No.	Part Number	Description	Qty	Remarks
1	3LD-12111-00-00	VALVE, INTAKE (3LD.)	2	
2	3LD-12112-00-00	VALVE, INTAKE 2 (3LD:)	4	
3	3LD-12121-00-00	VALVE, EXHAUST (3LD)	4	
4	1WG-12116-00-00	SEAT, VALVE SPRING	10	
5	3LD-12113-00-00	SPRING, VALVE INNER	10	
6	3LD-12117-00-00	RETAINER, VALVE SPRVALVE SPRING	10	
7	3LD-12118-00-00	COTTER, VALVE	20	
8	51Y-12119-00-00	SEAL, VALVE STEM	10	
9	1WG-12153-09-00	LIFTER, VALVE (O/S)	10	AP WHITE
	1WG-12153-21-00	LIFTER, VALVE	10	UR BLUE
	1WG-12153-30-00	LIFTER, VALVE (1WG-12153-31-00)	10	UR RED
10	3LD-12168-00-00	PAD, ADJUSTING (1.20)	10	UR
	3LD-12168-20-00	PAD, ADJUSTING (1.25)	10	UR
	3LD-12168-40-00	PAD, ADJUSTING (1.30)	10	UR
	3LD-12168-60-00	PAD, ADJUSTING (1.35)	10	UR
	3LD-12168-80-00	PAD, ADJUSTING (1.40)	10	UR
	3LD-12168-A0-00	PAD, ADJUSTING (1.45)	10	UR
	3LD-12168-F0-00	PAD, ADJUSTING (1.50)	10	UR
	3LD-12168-H0-00	PAD, ADJUSTING (1.55)	10	UR
	3LD-12168-K0-00	PAD, ADJUSTING (1.60)	10	UR
	3LD-12168-M0-00	PAD, ADJUSTING (1.65)	10	UR
	3LD-12168-R0-00	PAD, ADJUSTING (1.70)	10	UR
	3LD-12168-U0-00	PAD, ADJUSTING (1.75)	10	UR
	3LD-12168-W0-00	PAD, ADJUSTING (1.80)	10	UR
	3LD-12168-Y0-00	PAD, ADJUSTING (1.85)	10	UR
	3LD-12169-10-00	PAD, ADJUSTING (1.90)	10	UR
	3LD-12169-30-00	PAD, ADJUSTING (1.95)	10	UR

3LD1351-9040

CONTINUED ON NEXT FRAME ➤

# VALVE

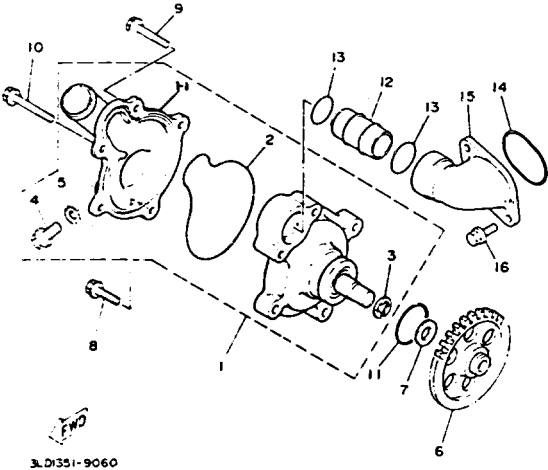
Ref. No.	Part Number	Description	Qty	Remarks
10	3LD-12169-50-00	PAD, ADJUSTING (2.00)	..... 10	UR
	3LD-12169-70-00	PAD, ADJUSTING (2.05)	..... 10	UR
	3LD-12169-90-00	PAD, ADJUSTING (2.10)	..... 10	UR
	3LD-12169-E0-00	PAD, ADJUSTING (2.15)	..... 10	R
	3LD-12169-G0-00	PAD, ADJUSTING (2.20)	..... 10	UR
	3LD-12169-J0-00	PAD, ADJUSTING (2.25)	..... 10	UR
	3LD-12169-L0-00	PAD, ADJUSTING (2.30)	..... 10	UR
	3LD-12169-N0-00	PAD, ADJUSTING (2.35)	..... 10	UR
	3LD-12169-T0-00	PAD, ADJUSTING (2.40)	..... 10	UR



FWD

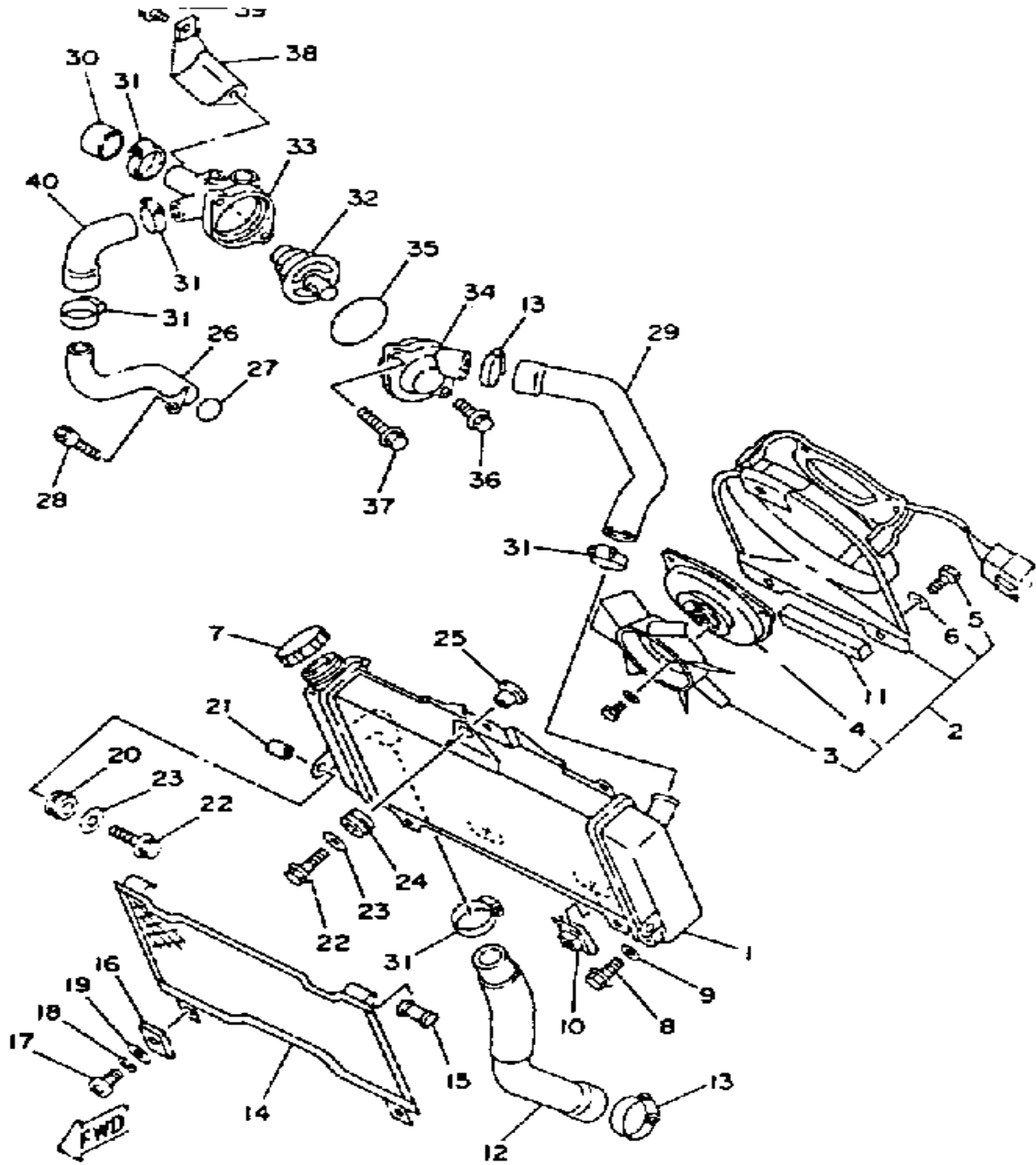
3LD1351-9040

# WATER PUMP



Ref. No.	Part Number	Description	Qty	Remarks
1	3VD-12420-00-00	WATER PUMP ASSEMBLY	1	
2	3LD-12439-00-00	. O-RING	1	
3	99009-12400-00	. CIRCLIP	1	
4	95026-06012-00	. BOLT, FLANGE	1	
5	90430-06014-00	. GASKET	1	
6	3VD-12459-00-00	GEAR, IMPELLER SHAF	1	
7	90201-127E1-00	WASHER, PLATE	1	
8	95026-06030-00	BOLT, FLANGE	1	
9	95026-06045-00	BOLT, FLANGE	1	
10	95026-06060-00	BOLT, FLANGE	1	
11	93210-33133-00	O-RING	1	
12	3LD-12481-00-00	PIPE 1	1	
13	93210-21190-00	O-RING	2	
14	93210-36788-00	O-RING	1	
15	3VD-12469-00-00	JOINT 1	1	
16	95026-06016-00	BOLT, FLANGE	2	
1-1	3VD-12422-00-00	. COVER, HOUSING	1	

# RADIATOR

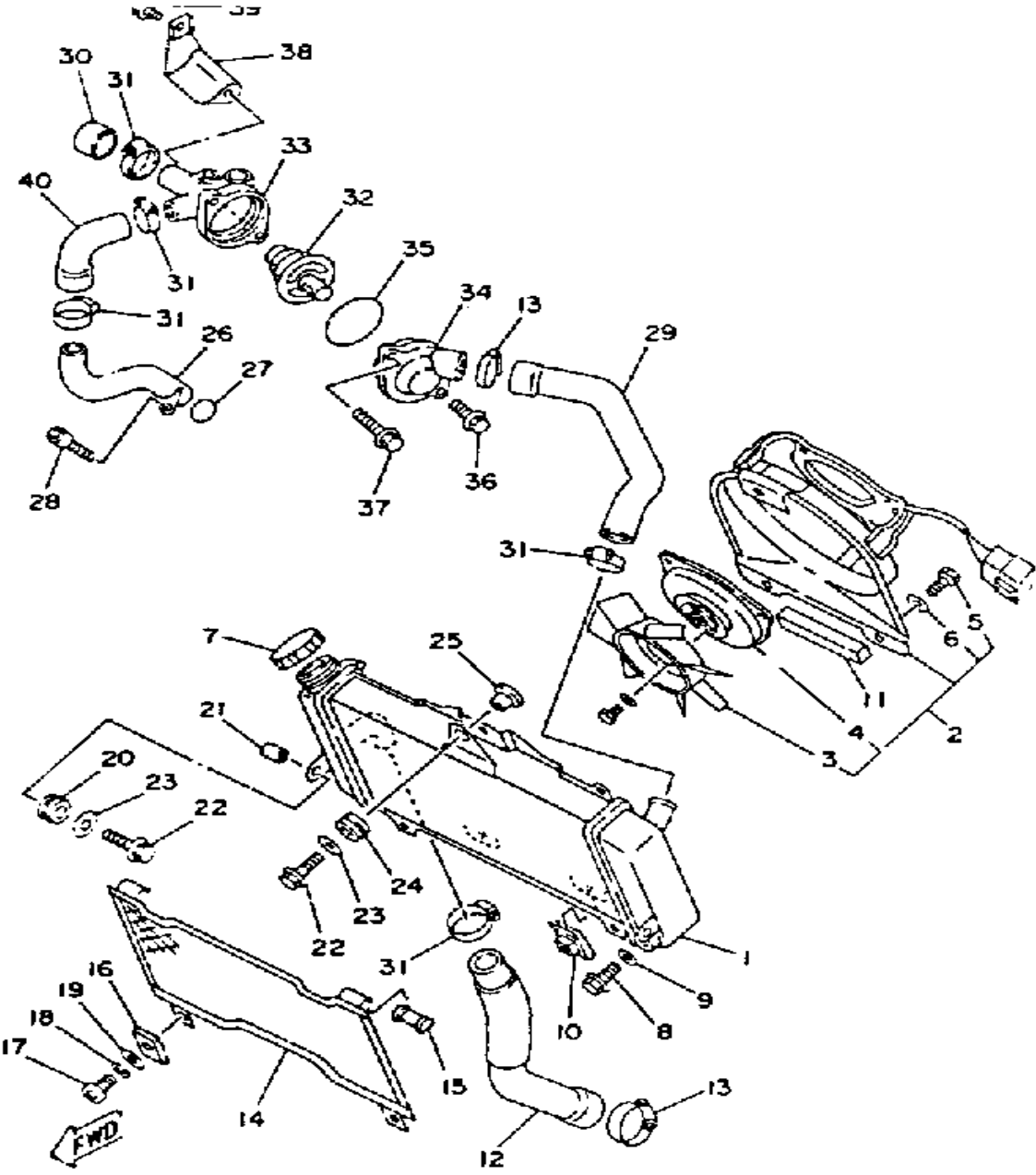


3VD1351-1070

Ref. No.	Part Number	Description	Qty	Remarks
1	3VD-12461-00-00	RADIATOR ASSEMBLY	1	
2	1UF-12405-00-00	BLOWER ASSEMBLY	1	
3	1UF-12611-00-00	. FAN	1	
4	26H-12630-00-00	. MOTOR ASSEMBLY	1	
5	98580-05010-00	. SCREW, PAN HEAD	3	
6	92901-05600-00	. WASHER, PLATE	3	
7	26H-12462-00-00	CAP, RADIATOR	1	
8	1AA-12561-00-00	PLUG, DRAIN COCK	1	
9	1AA-12435-00-00	GASKET	1	
10	1AA-12535-00-00	PLATE	2	
	1AA-12535-00-00	PLATE	3	
11	3VD-12465-00-00	DAMPER, RADIATOR	1	
12	3VD-12578-00-00	HOSE 3	1	
13	90450-38040-00	HOSE CLAMP ASSEMBLY	2	
14	1UF-12467-00-00	COVER, RADIATOR	1	
15	1UF-12435-00-00	GASKET	2	
16	90183-05024-00	NUT, SPRING	2	
17	98506-05010-00	SCREW, PAN HEAD	2	
18	92906-05100-00	WASHER, SPRING	2	
19	92906-05600-00	WASHER, PLATE	2	
20	90480-15363-00	GROMMET	2	
21	90387-074W0-00	COLLAR	2	
22	95816-06025-00	BOLT, FLANGE	3	
23	90201-06697-00	WASHER, PLATE	3	
24	90480-18276-00	GROMMET	1	
25	90387-07037-00	COLLAR	1	
26	3VD-12482-00-00	PIPE 2	1	
27	93210-18417-00	O-RING	1	
28	91316-06016-00	BOLT, SOCKET HEAD	1	

CONTINUED ON NEXT FRAME ➤

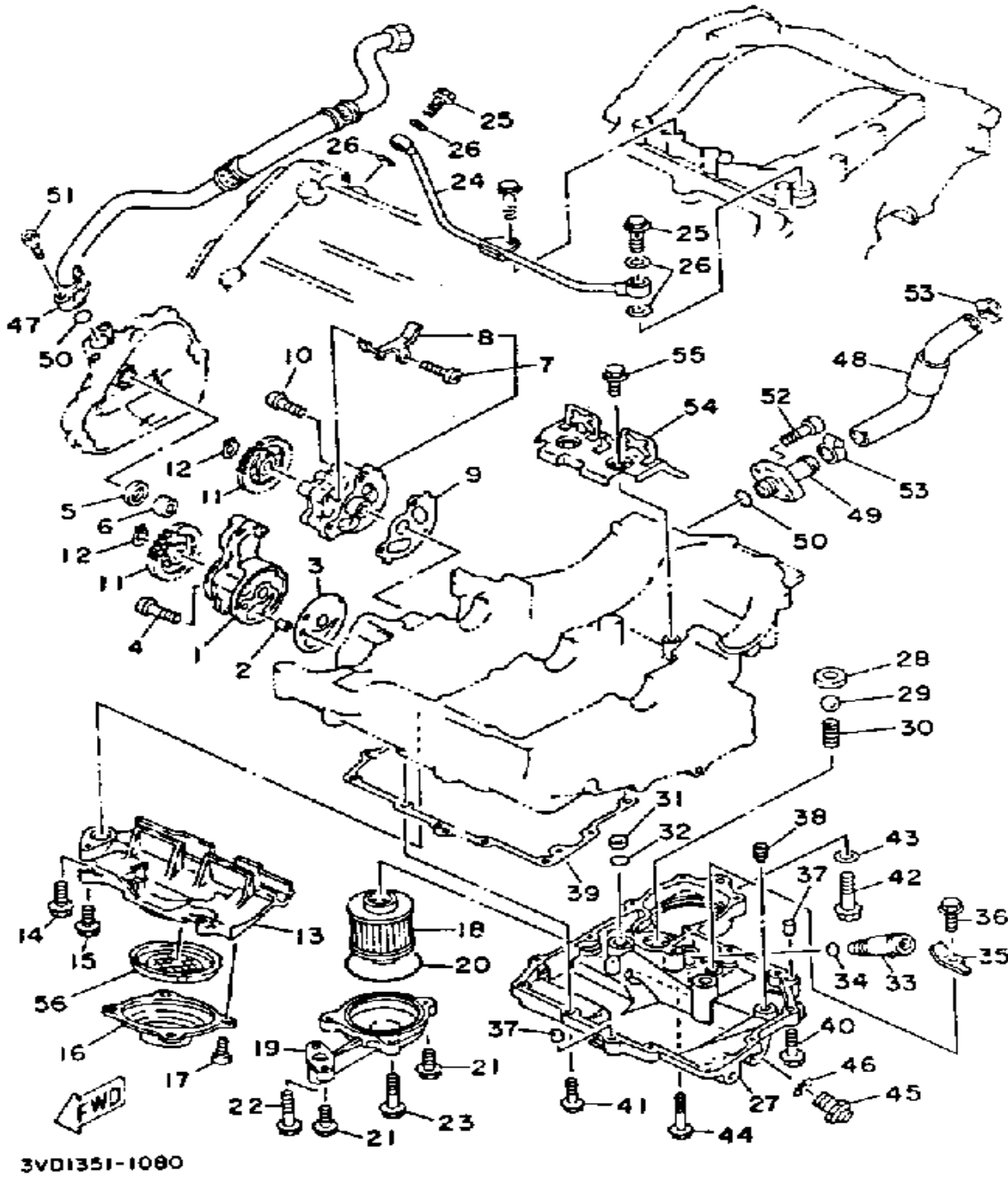
# RADIATOR



3VD1351-1070

Ref. No.	Part Number	Description	Qty	Remarks
29	3VD-12577-00-00	HOSE 2	1	
30	3VD-12567-00-00	CAP, WATER	1	
31	90450-32051-00	HOSE CLAMP ASSEMBLY	5	
32	1AE-12410-00-00	THERMOSTAT ASSEMBLY	1	
33	1UF-12417-01-00	HOUSING, THERMOSTAT	1	
34	1UF-12413-00-00	COVER, THERMOSTAT	1	
35	93210-49046-00	O-RING	1	
36	95026-06020-00	BOLT, FLANGE	1	
37	95026-06030-00	BOLT, FLANGE	1	
38	3VD-1244E-00-00	BRACKET 1	1	
39	95026-06010-00	BOLT, FLANGE	1	
40	3VD-12579-00-00	HOSE, 4	1	

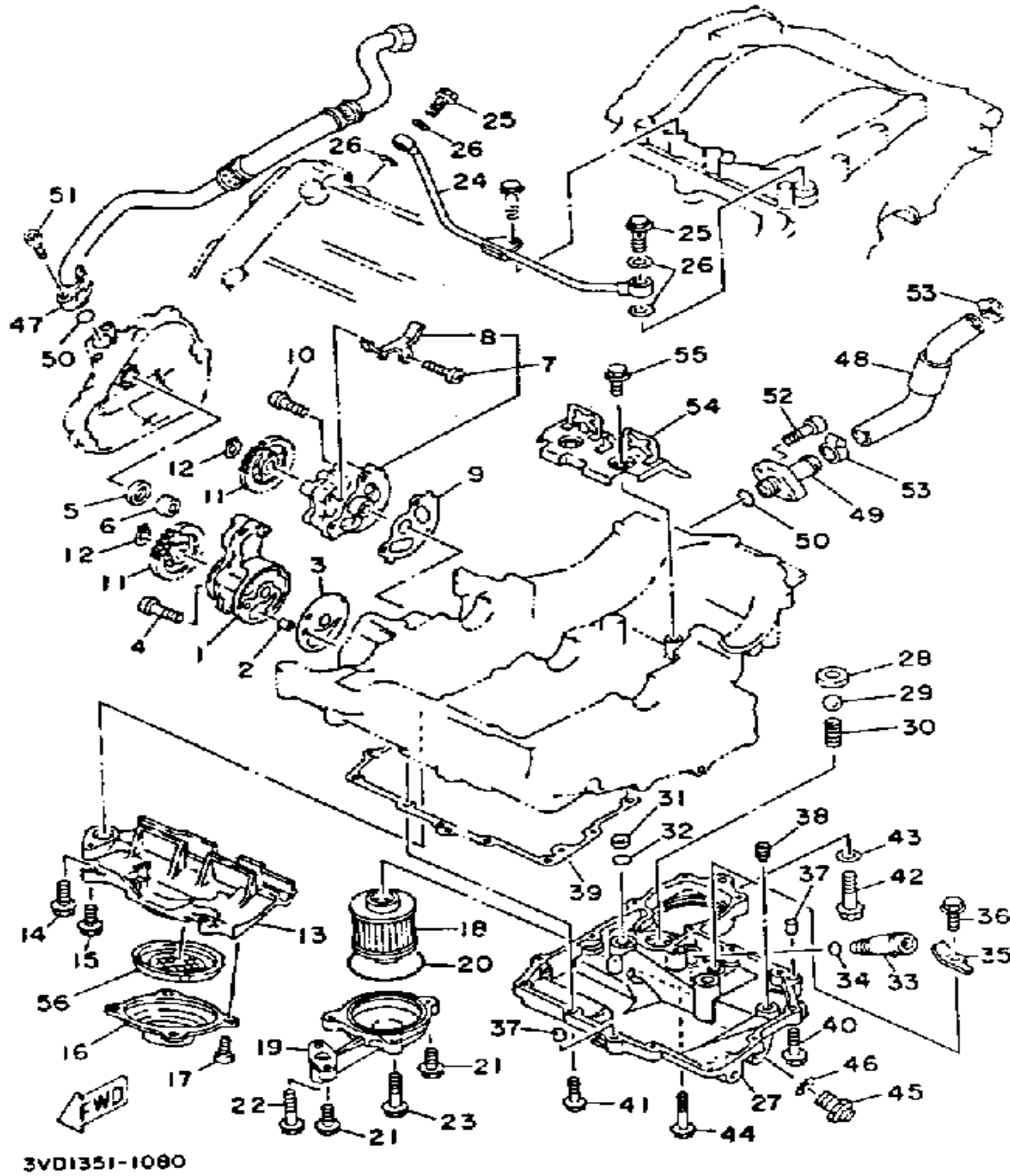
# OIL PUMP



Ref. No.	Part Number	Description	Qty	Remarks
1	3LD-13300-00-00	OIL PUMP ASSEMBLY .....	1	
2	99510-08012-00	PIN, DOWEL .....	1	
3	3LD-13329-00-00	GASKET, PUMP COVER .....	1	
4	98580-06545-00	SCREW PAN HEAD (92503-06045) .....	3	
5	90430-14131-00	GASKET .....	1	
6	90387-120W5-00	COLLAR .....	1	
7	3LD-13303-00-00	OIL PUMP ASSEMBLY., 2 ....	1	
8	3LD-13371-00-00	. PLATE .....	1	
9	3LD-13339-00-00	GASKET, PUMP COVER .....	1	
10	98580-06035-00	SCREW, PAN HEAD .....	3	
11	3VD-13325-00-00	GEAR, PUMP DRIVEN .....	2	
12	99009-11400-00	CIRCLIP .....	2	
13	3VD-13412-00-00	HOUSING, STRAINER .....	1	
14	95026-06025-00	BOLT, FLANGE .....	1	
15	95026-06020-00	BOLT, FLANGE .....	4	
16	3VD-13411-00-00	STRAINER, OIL .....	1	
17	98580-06010-00	SCREW, PAN HEAD (92503-06010) .....	4	
18	4X7-13440-90-00	ELMNT ASSEMBLY, OIL CLNR	1	
19	3LD-13447-00-00	COVER, OIL ELEMENT .....	1	
20	93210-64297-00	O-RING .....	1	
21	95026-06020-00	BOLT, FLANGE .....	2	
22	95026-06030-00	BOLT, FLANGE .....	1	
23	95026-06040-00	BOLT, FLANGE .....	2	
24	3LD-13161-00-00	PIPE, DELIVERY 1 .....	1	
25	90401-10106-00	BOLT, UNION .....	2	
26	90430-10171-00	GASKET .....	4	
27	3VD-13417-00-00	COVER, STRAINER .....	1	

CONTINUED ON NEXT FRAME ►

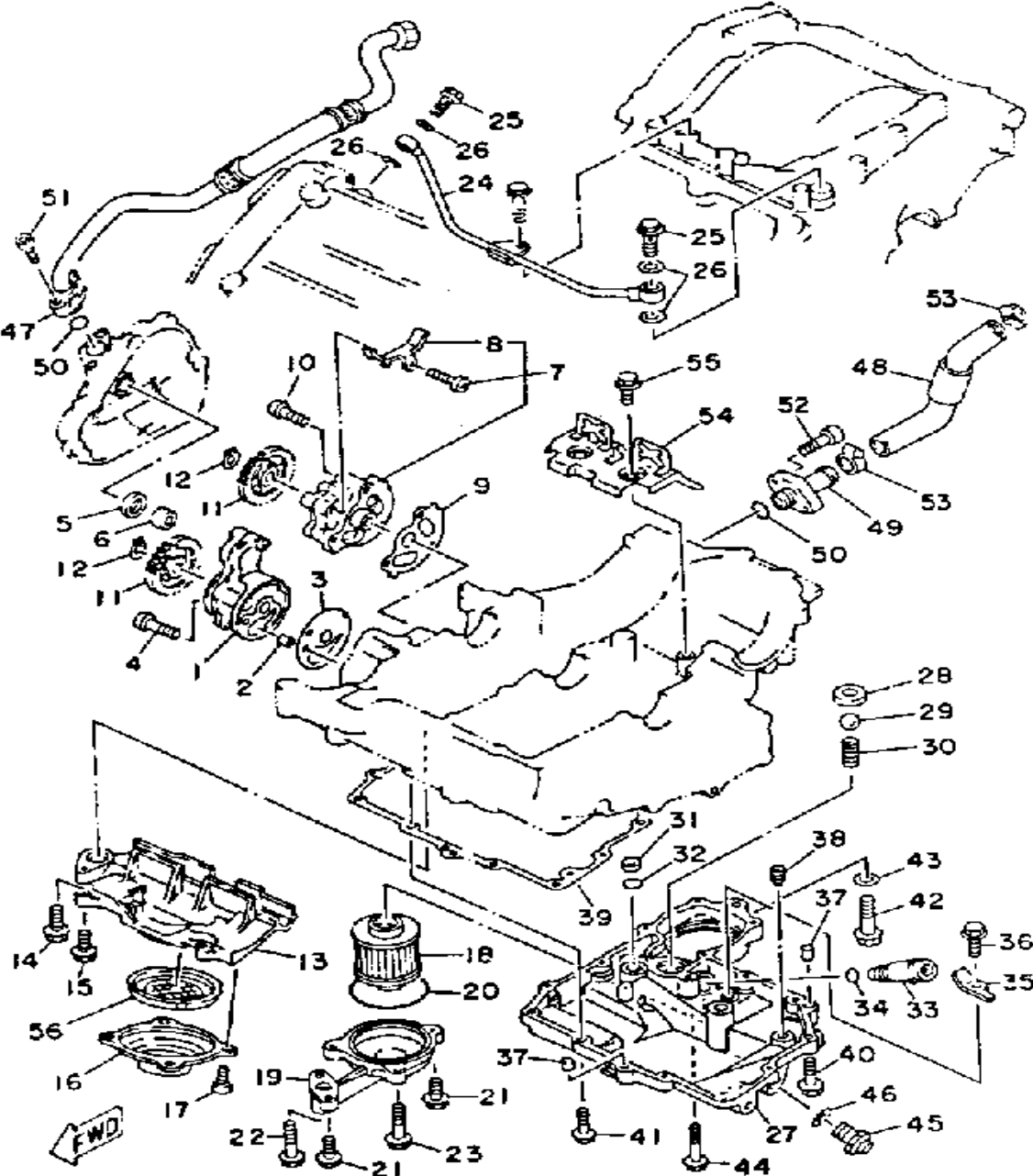
# OIL PUMP



Ref. No.	Part Number	Description	Qty	Remarks
28	3LD-13113-00-00	SEAT, CHECK BALL .....	1	
29	93505-08030-00	BALL .....	1	
30	90501-104F9-00	SPRING, COMPRESSION .....	1	
31	90387-106W6-00	COLLAR .....	1	
32	93210-12790-00	O-RING .....	1	
33	11H-13490-00-00	RELIEF VALVE ASSEMBLY ...	1	
34	93210-10096-00	O-RING .....	1	
35	3LD-13151-00-00	STAY .....	1	
36	90105-06553-00	BOLT, WASHER BASED .....	1	
37	99510-08016-00	PIN, DOWEL .....	2	
38	4H7-15138-00-00	NOZZLE 1 .....	1	
39	3VD-13414-00-00	GASKET, STRNR COVERSTRAINER COVER .....	1	
40	90105-06456-00	BOLT, WASHER BASED .....	2	
41	95026-06025-00	BOLT, FLANGE .....	11	
42	95021-10040-00	BOLT, FLANGE .....	1	
43	90430-10171-00	GASKET .....	1	
44	95026-06035-00	BOLT, FLANGE .....	1	
45	3VD-13455-00-00	PLUG .....	1	
46	214-11198-01-00	GASKET .....	1	
47	3VD-13464-00-00	HOSE, OIL 1 .....	1	
48	3VD-13465-00-00	HOSE, OIL 2 .....	1	
49	3VD-13416-00-00	PIPE, OIL 1 .....	1	
50	93210-13657-00	O-RING .....	2	
51	91316-06020-00	BOLT, SOCKET HEAD .....	2	
52	90110-06093-00	BOLT, HEXAGON SOCKET HEAD .....	2	
53	90460-27270-00	CLAMP, HOSE .....	2	
54	3VD-13317-00-00	PLATE, BAFFLE .....	1	

CONTINUED ON NEXT FRAME ►

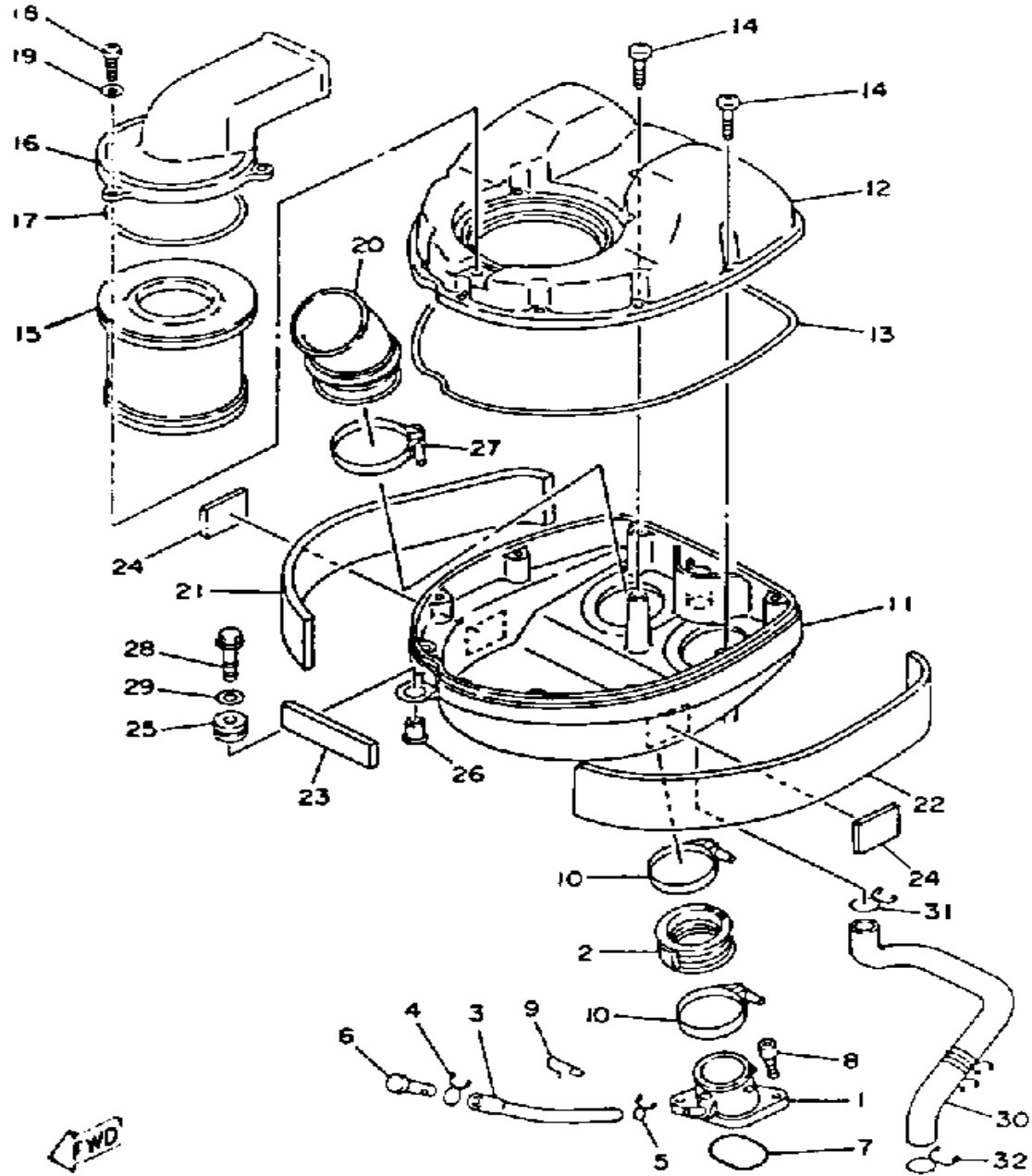
# OIL PUMP



3VD1351-1080

Ref. No.	Part Number	Description	Qty	Remarks
55	90105-06553-00	BOLT, WASHER BASED	2	
56	3VD-13415-00-00	SEAL, OIL STRAINER	1	

# AIR FILTER

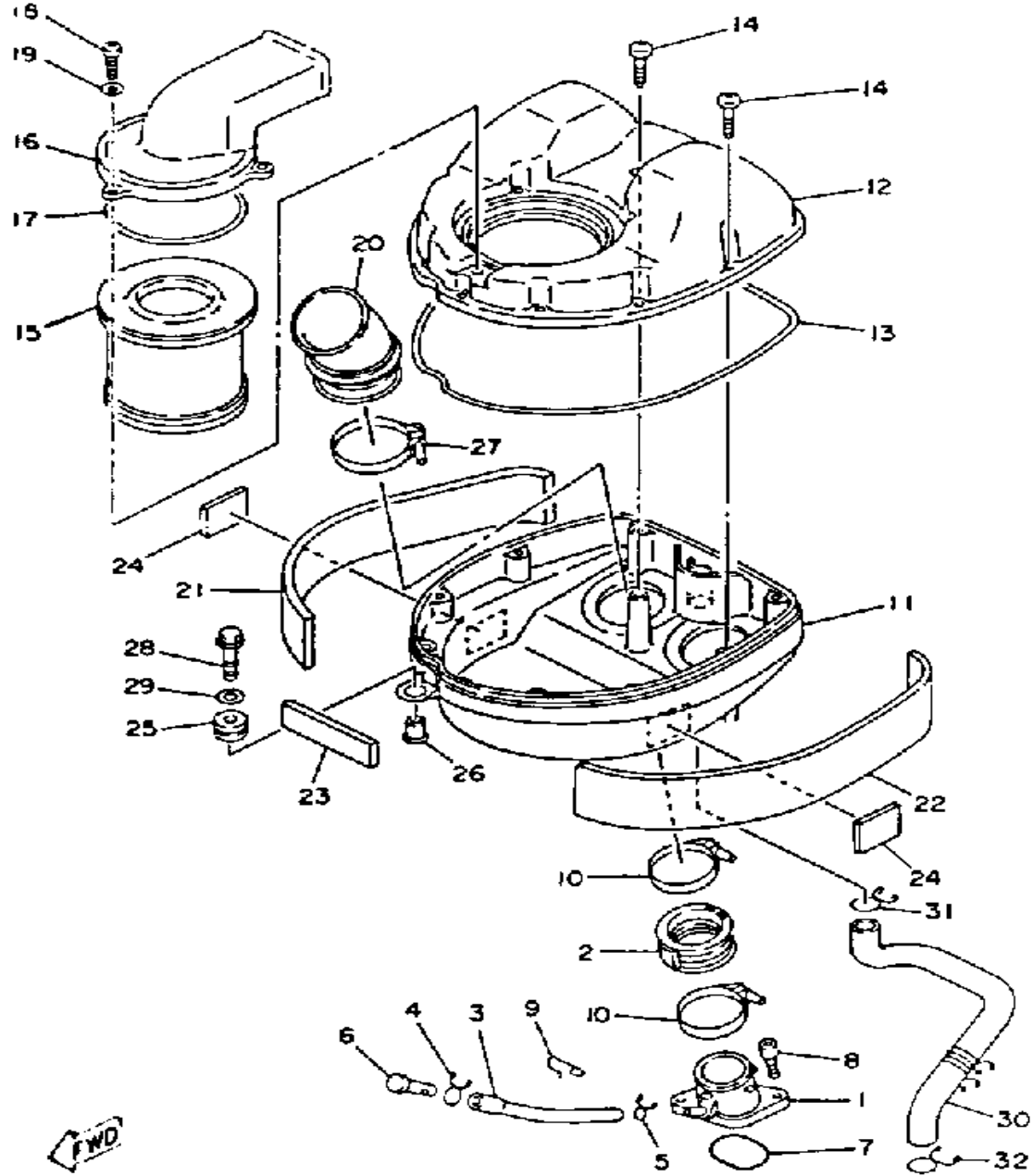


3V04351-2090

Ref. No.	Part Number	Description	Qty	Remarks
1	3LD-13586-01-00	JOINT, CARBURETOR 1	2	
2	3LD-13597-00-00	JOINT, CARB 3	2	
3	1VJ-13929-00-00	PIPE, IMPULSE	1	
4	90467-08017-00	CLIP	1	
5	90467-08021-00	CLIP	1	
6	90240-06103-00	PIN, CLEVIS	1	
7	93210-44545-00	O-RING	2	
8	91316-06020-00	BOLT, SOCKET HEAD	4	
9	90465-20035-00	CLAMP	1	
10	90450-57034-00	HOSE CLAMP ASSEMBLY	4	
11	3VD-14411-00-00	CASE, AIR CLEANER 1	1	
12	3VD-14421-00-00	CASE, AIR CLEANER 2	1	
13	1VJ-14462-00-00	SEAL	1	
14	97780-50125-00	SCREW, TAPPING	10	
15	1AE-14451-00-00	ELEMENT, AIR CLNR	1	
16	3VD-14422-00-00	CAP, CLEANER CASE 2	1	
17	5T0-14457-00-00	SEAL	1	
18	98580-05016-00	SCREW, PAN HEAD	3	
19	92901-05600-00	WASHER, PLATE	3	
20	3GM-14453-00-00	JOINT, AIR CLEANER 1	2	
21	3VD-14425-00-00	DAMPER 1	1	
22	3VD-14426-00-00	DAMPER 2	1	
23	3VD-1442G-00-00	DAMPER 3	1	
24	3BB-22261-00-00	DAMPER, SUB TANK	2	
25	90480-14023-00	GROMMET	1	
26	90387-060M9-00	COLLAR	1	
27	90450-67033-00	HOSE CLAMP ASSEMBLY	2	
28	97021-06030-00	BOLT	1	
29	90201-06M08-00	WASHER, PLATE	1	

CONTINUED ON NEXT FRAME ➤

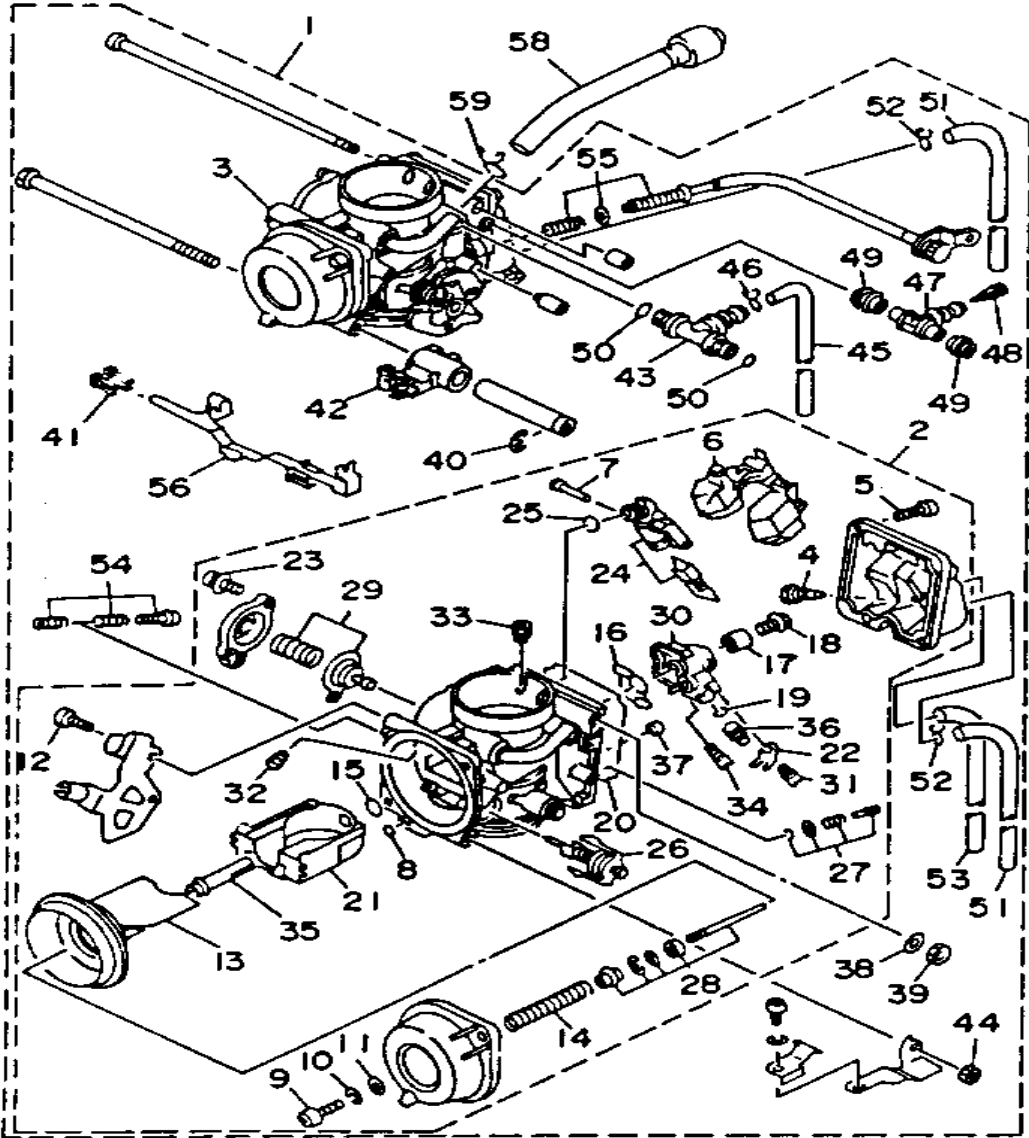
# AIR FILTER



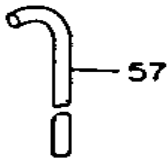
3V04351-2090

Ref. No.	Part Number	Description	Qty	Remarks
30	3VD-11166-00-00	PIPE, BREATHER 1 .....	1	
31	90467-22080-00	CLIP .....	1	
32	(90467-24113-00)	CLIP, SCISSOR .....	1	

# CARBURETOR



FOR CALIFORNIA



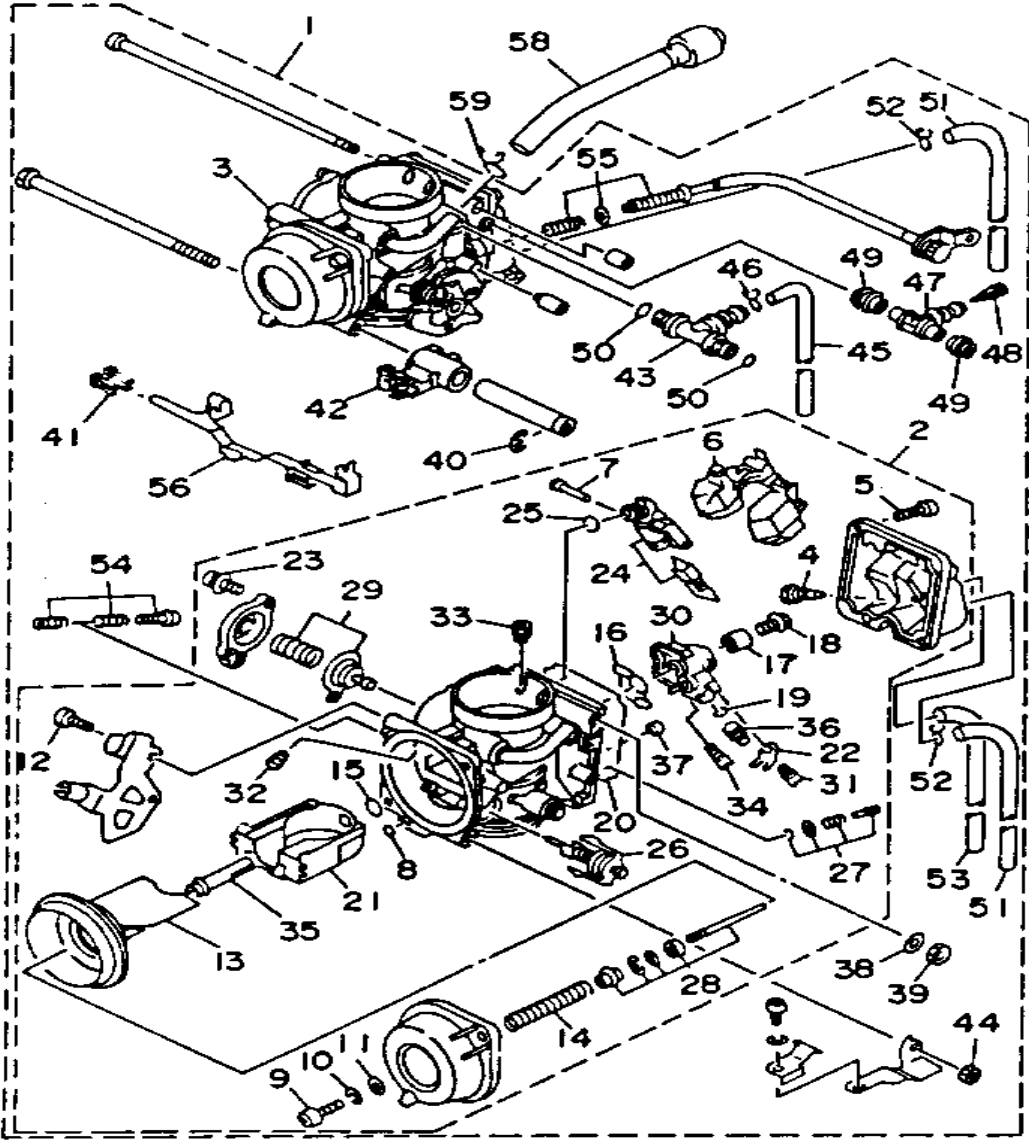
Ref. No.	Part Number	Description	Qty	Remarks
1	4D-T1490-00-00	UNAVAILABLE IN PRICE BOOK	1	UR NON-CA. N/A
	4D-T1490-01-00	UNAVAILABLE IN PRICE BOOK	1	UR CA. ONLY N/A
2	4DT-14901-00-00	. CARBURETOR ASSEMBLY 1	1	UR NON-CA.
	4DT-14901-10-00	. CARBURETOR ASSEMBLY 1	1	UR CA. ONLY
3	4DT-14902-00-00	. CARBURETOR ASSEMBLY 2	1	UR NON-CA.
	4DT-14902-10-00	. CARBURETOR ASSEMBLY 2	1	UR CA. ONLY
4	3FV-14191-00-00	.. PLUG, DRAIN	1	
5	98580-05012-00	.. SCREW, PAN HEAD	4	
6	3GM-14985-00-00	.. FLOAT	1	
7	53L-14186-00-00	.. PIN, FLOAT	1	
8	3FV-14147-00-00	.. O-RING	1	
9	98586-05016-00	.. SCREW, PAN HEAD	2	
10	92906-05100-00	.. WASHER, SPRING	2	
11	92906-05600-00	.. WASHER, PLATE	2	
12	98580-04008-00	.. SCREW, PAN HEAD	2	
13	3GM-14940-00-00	.. DIAPHRAGM ASSEMBLY	1	
14	4DT-14933-00-00	.. SPRING, DIAPHRAM	1	
15	1AE-14147-00-00	.. O-RING	1	
16	3LF-14147-00-00	.. O-RING	1	
17	3GM-14153-00-00	.. WASHER, MAIN JET	1	
18	1HX-14565-00-00	.. SCREW	1	
19	3LD-14147-00-00	.. O-RING	1	
20	3GM-14997-00-00	.. SEAL	1	
21	3GM-1411E-00-00	.. BLOCK, JET	1	
22	3LD-14945-00-00	.. JET	1	
23	97601-04312-00	.. SCREW, TAPPING	2	
24	3GM-14107-17-00	.. NEEDLE VALVE SET	1	
25	3EN-14147-00-00	.. O-RING	1	
26	3EN-1410A-00-00	.. STARTER SET	1	



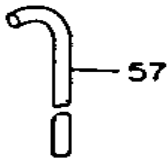
4DT1110-2100

CONTINUED ON NEXT FRAME ►

# CARBURETOR



FOR CALIFORNIA



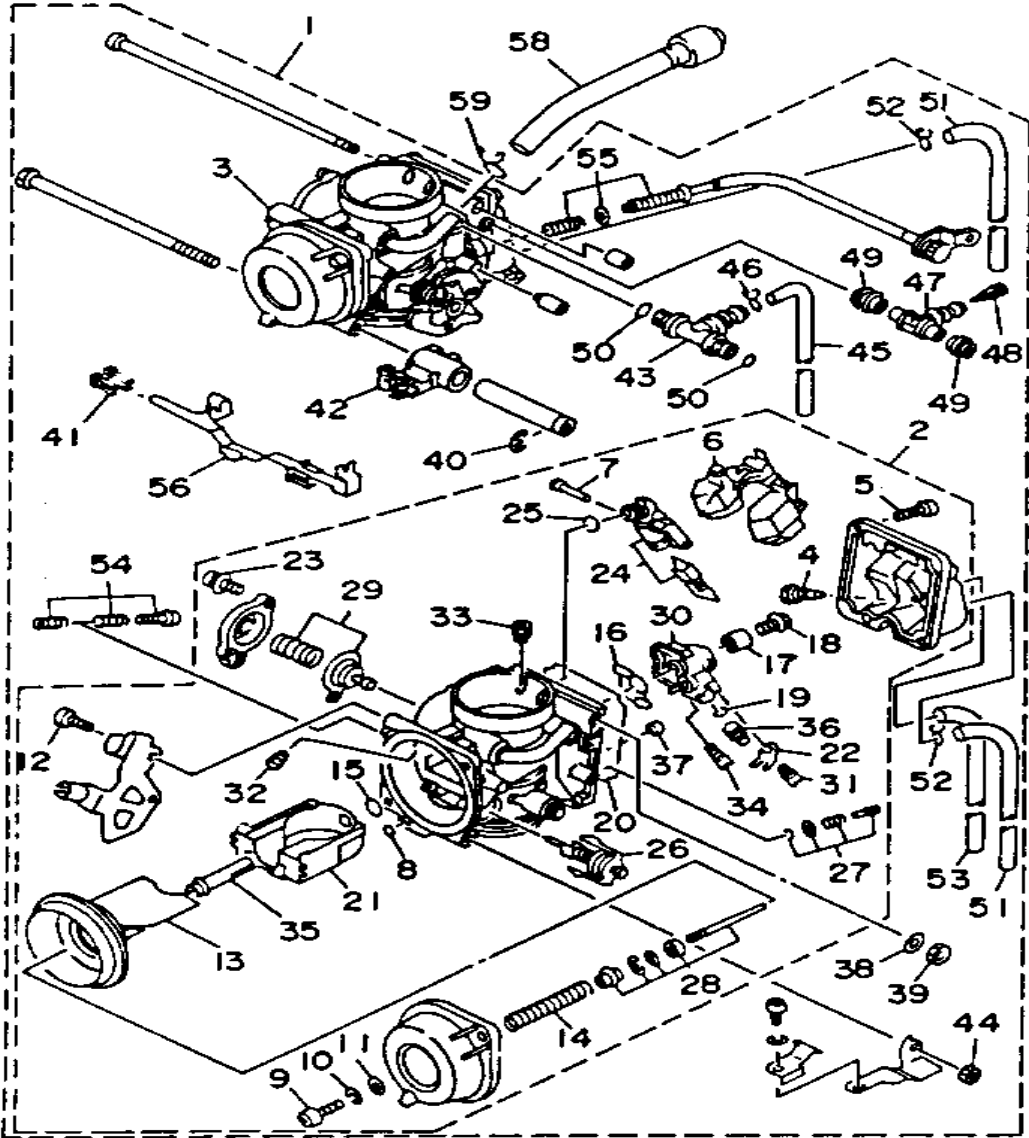
Ref. No.	Part Number	Description	Qty	Remarks
27	12R-14105-00-00	.. PILOT SCREW SET .....	1	
28	4DT-1490J-00-00	.. NEEDLE SET .....	1	
29	3LD-1490H-00-00	.. DIAPHRAGM SET, 5 (26H-1490H-00-00) .....	1	
30	3VD-1411A-00-00	.. BLOCK JET ASSEMBLY ...	1	
31	620-1423A-65-00	.. JET, MAIN (#72.5) (# 72.5) ..	1	
32	239-14172-14-00	.. PILOT JET, AIR .....	1	
33	830-14231-15-00	.. JET, MAIN (#75) (# 75) .....	1	
34	4G0-14142-37-A0	.. JET, PILOT #37.5 (4G0-14142-37-00) .....	1	
35	3GM-14141-94-00	.. NOZZLE, MAIN .....	1	
36	3LD-14231-28-00	.. JET, MAIN (#140) (#140) ...	1	
37	3F9-14118-00-00	.. CAP .....	1	
38	92901-05600-00	. WASHER, PLATE .....	1	
39	95380-05600-00	. NUT .....	1	
40	3LD-14919-00-00	. CLIP .....	1	
41	3EN-14261-00-00	. HOLDER .....	2	
42	3GM-14974-00-00	. LEVER, CONNECT .....	1	
43	3LD-14988-00-00	. PIPE, STARTER CONN.STARTER CONNECTING .....	1	
44	95380-06600-00	. NUT .....	1	
45	2L-H1419-70-00	. UNAVAILABLE IN PRICE BOOK .....	1	
46	8U9-14139-00-00	. CLIP, PIPE .....	1	
47	3EN-14988-00-00	. PIPE, STARTER CONNECTING	1	
48	1KT-14994-00-00	. NET, FILTER .....	1	
49	3EN-14997-00-00	. SEAL .....	2	
50	822-14147-00-00	. O-RING .....	2	
51	3VD-14987-00-00	. HOSE .....	2	



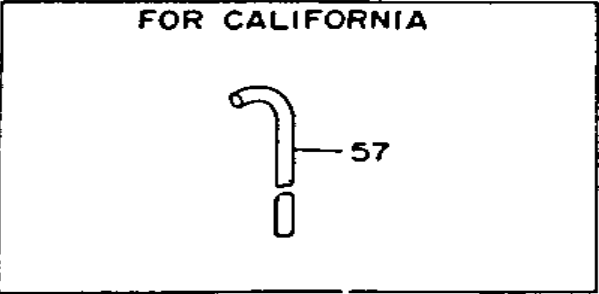
4DT1110-2100

CONTINUED ON NEXT FRAME ➤

# CARBURETOR

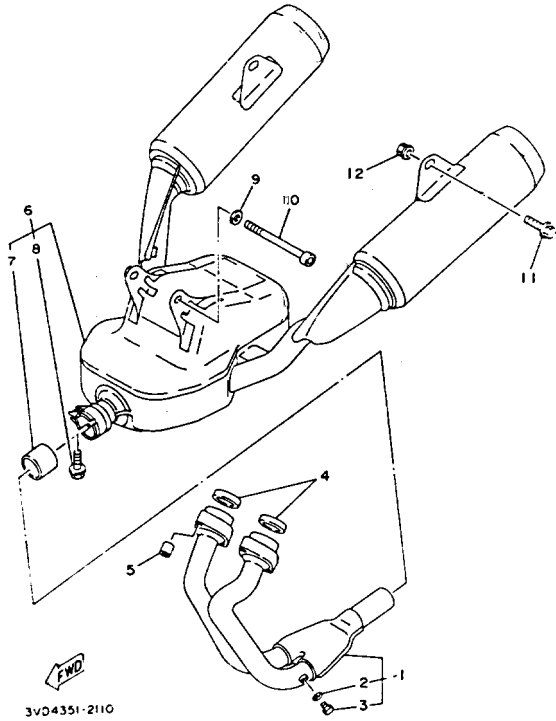


Ref. No.	Part Number	Description	Qty	Remarks
52	90467-07029-00	. CLIP .....	2	
53	(3JE-14197-00-00)	PIPE .....	1	
54	3EN-1490K-00-00	. STOP SCREW SET .....	1	
55	3VD-14103-00-00	. THROTTLE SCREW SET .....	1	
56	3LD-14986-00-00	. LEVER, STARTER .....	1	
57	3VD-14987-00-00	. HOSE .....	1	CA. ONLY
58	4CM-14148-00-00	PIPE .....	2	
59	90467-12052-00	CLIP .....	2	



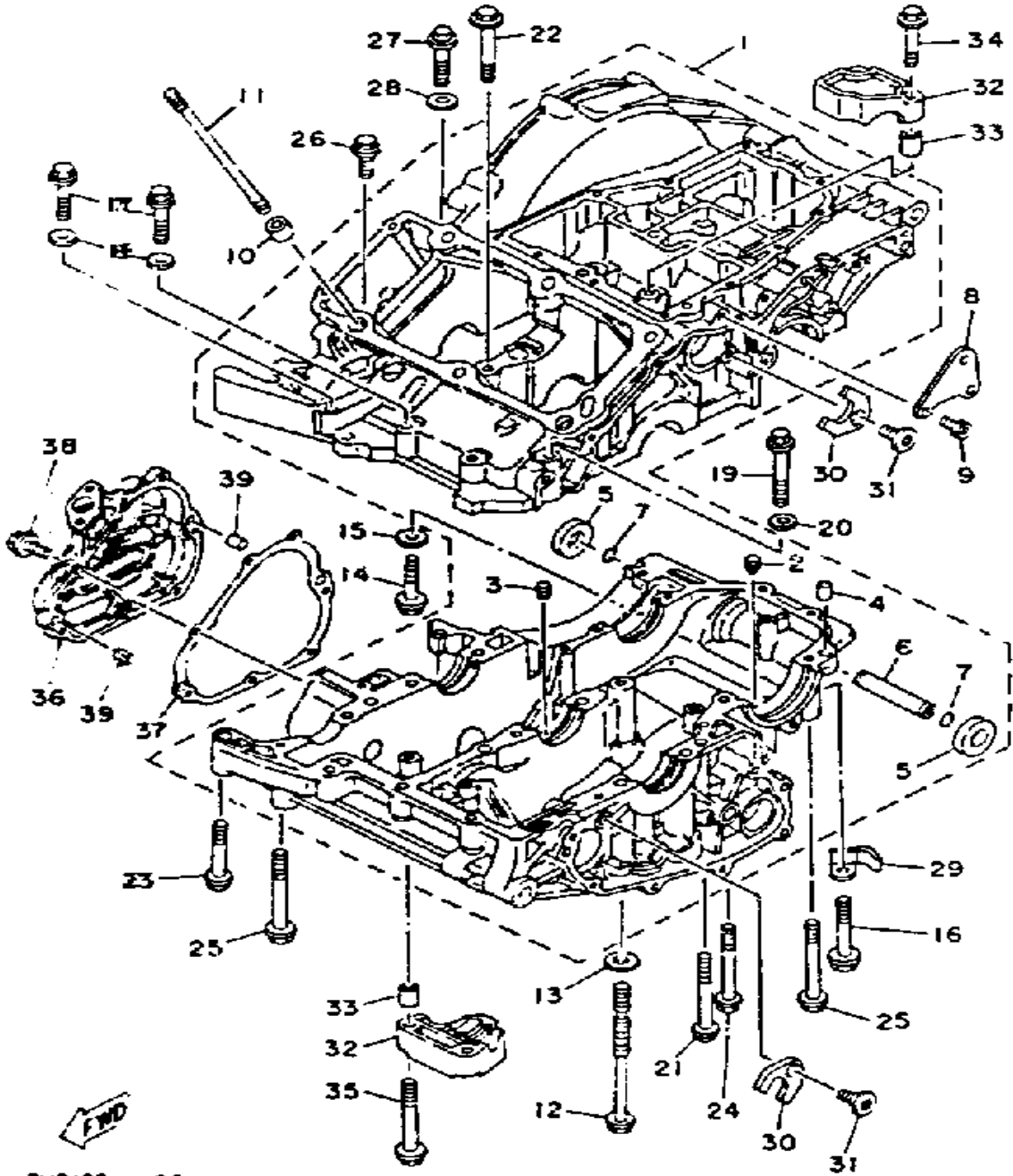
4DT1110-2100

# EXHAUST



Ref. No.	Part Number	Description	Qty	Remarks
1	3VD-14602-01-00	EXHAUST PIPE COMP. ....	1	
2	92906-06600-00	. WASHER .....	2	
3	90101-06576-00	. BOLT .....	2	
4	3VD-14613-00-00	GASKET, EXHAUST PIPE ....	2	
5	90179-08345-00	NUT, SPEC'L SHAPE .....	4	
6	3VD-14710-03-00	MUFFLER ASSEMBLY L .....	1	
7	3VD-14755-00-00	. GASKET, SILENCER .....	1	
8	99999-01790-00	. BOLT, FLANGE (95026-08025-00) .....	1	
9	90201-081H4-00	WASHER, PLATE .....	1	
10	91316-08110-00	BOLT, HEXAGON .....	1	
11	90105-10316-00	BOLT, WASHER BASED .....	2	
12	95701-10500-00	NUT, FLANGE (95702-10500) ..	2	

# CRANKCASE

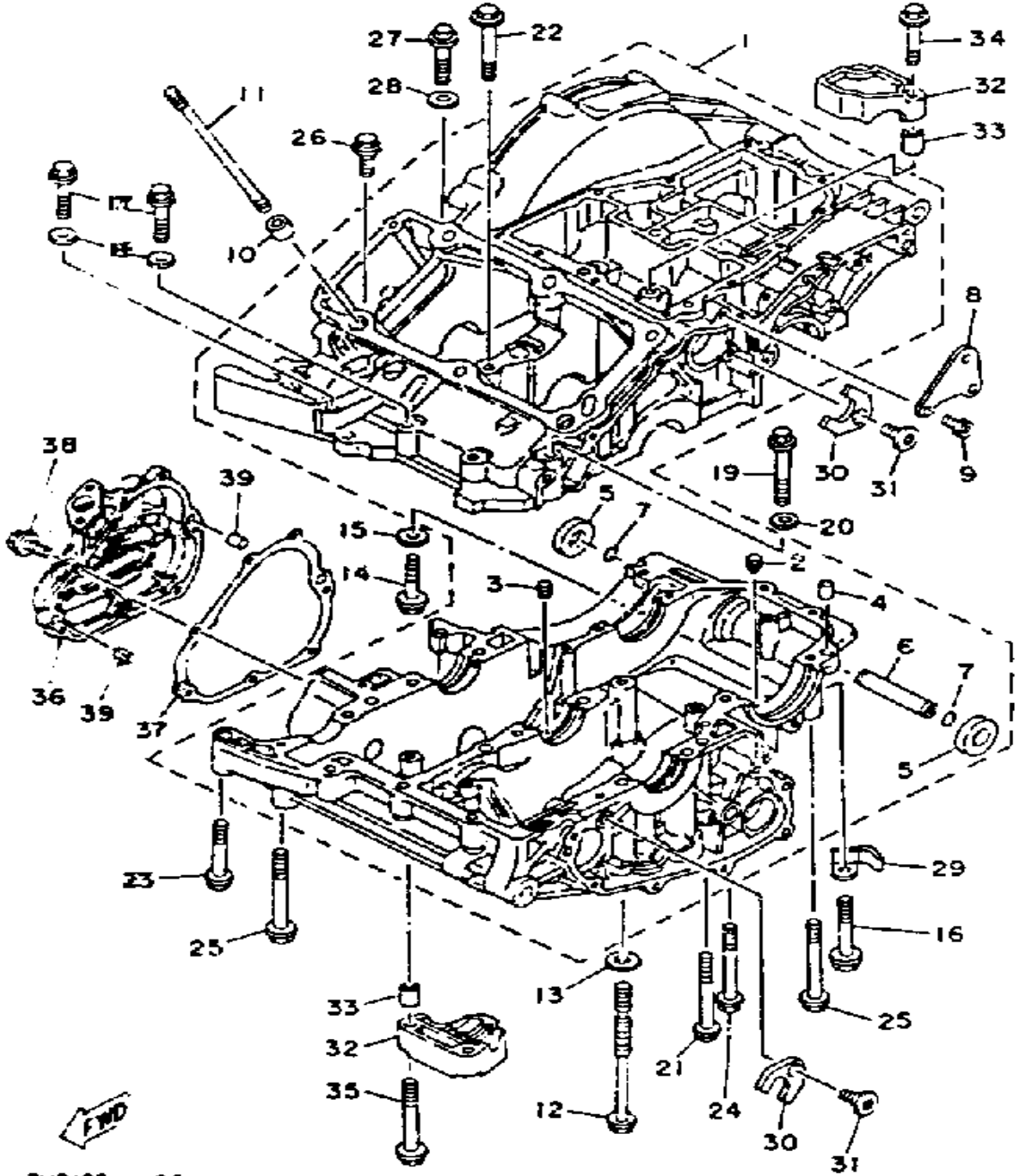


3VD1354-20

Ref. No.	Part Number	Description	Qty	Remarks
1	3VD-15100-00-00	CRANKCASE ASSEMBLY	1	
2	4H7-15138-00-00	. NOZZLE 1	1	
3	4G0-15138-00-00	. NOZZLE 1	1	
4	99530-10014-00	. PIN, DOWEL	1	
5	3VD-15316-00-00	. DAMPER, ENG MOUNT 1ENGINE MOUNT 1	2	
6	3VD-15317-00-00	. SPACER, ENG MOUNTENGINE MOUNT	1	
7	93210-11313-00	. O-RING	2	
8	3VD-15199-00-00	BRACKET	1	
9	91316-08016-00	BOLT, SOCKET HEAD	2	
10	99530-14016-00	PIN, DOWEL	2	
11	3LD-11361-00-00	BOLT, CYLINDER HOLDING 1CYLINDER HOLDING 1	6	
12	90105-10560-00	BOLT, WASHER BASED	6	
13	90201-10131-00	WASHER, PLATE	6	
14	95816-06040-00	BOLT	1	
15	90201-066F0-00	WASHER, PLATE	1	
16	95816-06055-00	BOLT, FLANGE	3	
17	95816-08050-00	BOLT, FLANGE	3	
18	90201-08087-00	WASHER, PLATE	2	
19	95816-08060-00	BOLT, FLANGE	1	
20	90201-08087-00	WASHER, PLATE	1	
21	95816-06070-00	BOLT, FLANGE	4	
22	95816-08065-00	BOLT, FLANGE	1	
23	95816-08050-00	BOLT, FLANGE	1	
24	95816-08070-00	BOLT, FLANGE	1	
25	95-81608-07-50	UNAVAILABLE IN PRICE BOOK	4	
26	95816-06025-00	BOLT, FLANGE	1	
27	95816-06040-00	BOLT	1	

CONTINUED ON NEXT FRAME ►

# CRANKCASE



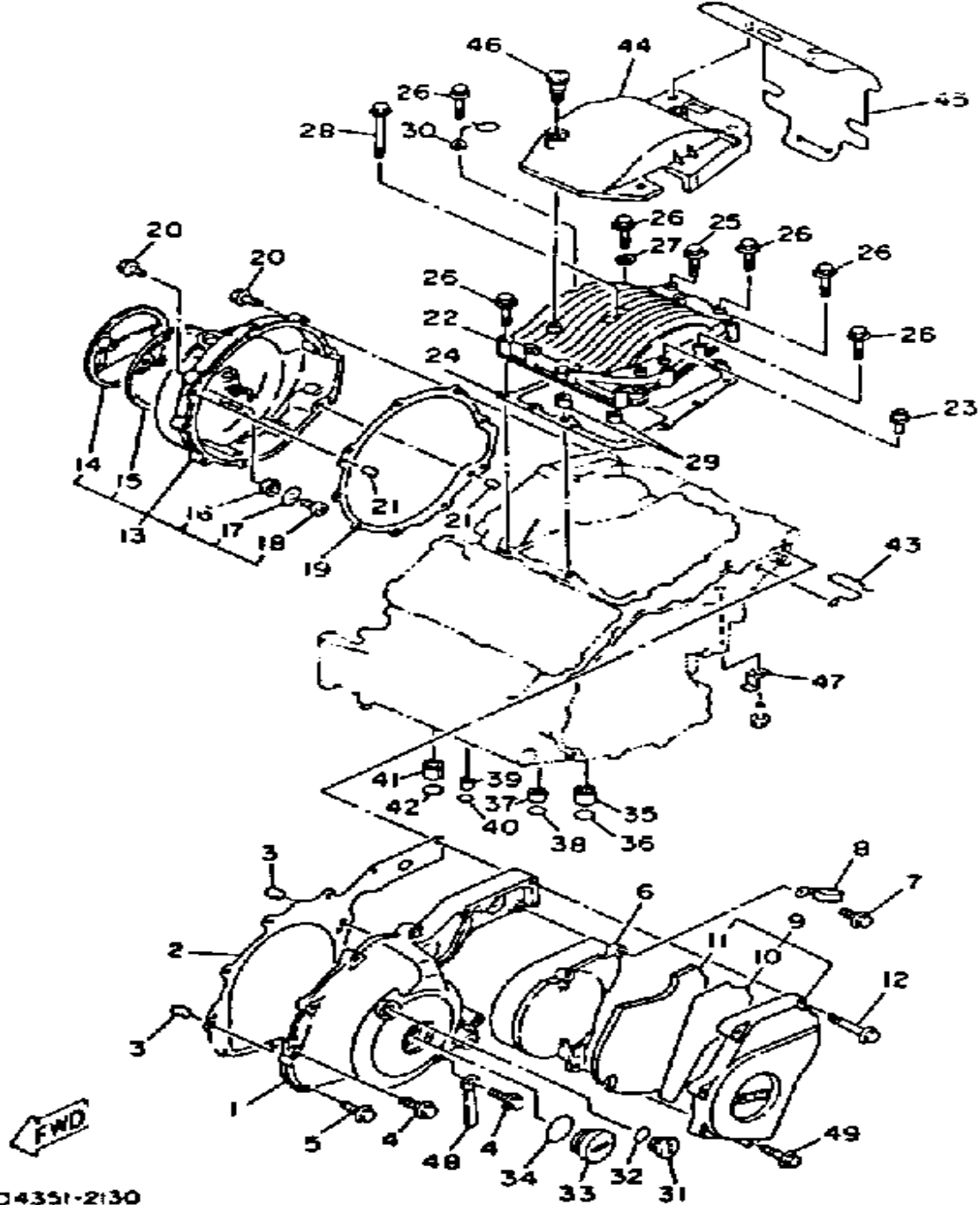
Ref. No.	Part Number	Description	Qty	Remarks
28	90201-066F0-00	WASHER, PLATE	1	
29	90465-08341-00	CLAMP	1	
30	3LD-15191-00-00	PLATE	2	
31	90149-06285-00	SCREW	2	
32	3LD-15118-00-00	HOLDER	2	
33	99510-08016-00	PIN, DOWEL	4	
34	95816-06045-00	BOLT, FLANGE	2	
35	95816-06070-00	BOLT, FLANGE	2	
36	3VD-15416-00-00	COVER, OIL PUMP	1	
37	3VD-15456-00-00	GASKET, O/PMP CVR 1OIL PUMP COVER 1	1	
38	95026-06020-00	BOLT, FLANGE	7	
39	99510-08012-00	PIN, DOWEL	2	

3VD1354-120

# CRANKCASE COVER 1

Ref. No.	Part Number	Description	Qty	Remarks
1	3VD-15411-00-00	COVER, CRANKCASE L	1	
2	3VD-15451-00-00	GASKET, CRCS COVERCRANKCASE COVER 1	1	
3	99510-08012-00	PIN, DOWEL	2	
4	95026-06025-00	BOLT, FLANGE	8	
5	90105-06456-00	BOLT, WASHER BASED	1	
6	3LD-15418-00-00	COVER, CHAIN CASE	1	
7	95026-06025-00	BOLT, FLANGE	2	
8	90465-08277-00	CLAMP	1	
9	3VD-15420-01-00	CRCS COVER ASSEMBLY RASSEMBLY 2	1	
10	3VD-15326-00-00	. DAMPER, ENG MOUNT 2ENGINE MOUNT 2	1	
11	3VD-15335-00-00	. DAMPER 3	1	
12	95026-06055-00	BOLT, FLANGE	4	
13	3VD-15430-00-00	CRCS COVER ASSEMBLY 3ASSEMBLY 3	1	
14	3VD-15417-00-00	. COVER, CAP	1	
15	3LD-15449-00-00	. RING, RUBBER	1	
16	1JK-15486-00-00	. GROMMET	2	
17	90209-05279-00	. WASHER	2	
18	98580-05010-00	. SCREW, PAN HEAD	2	
19	3VD-15462-00-00	GASKET, CRCS CVR 3CRANKCASE COVER 3	1	
20	95026-06025-00	BOLT, FLANGE	9	
21	99510-08012-00	PIN, DOWEL	2	
22	3VD-15425-01-00	COVER, GENERATOR R	1	
23	ø58-31112-60-00	UNAVAILABLE IN PRICE BOOK	1	
24	3VD-15463-00-00	GASKET, CARB CVR 2CARBURETOR COVER 2	1	
25	95023-06035-00	BOLT, FLANGE	1	

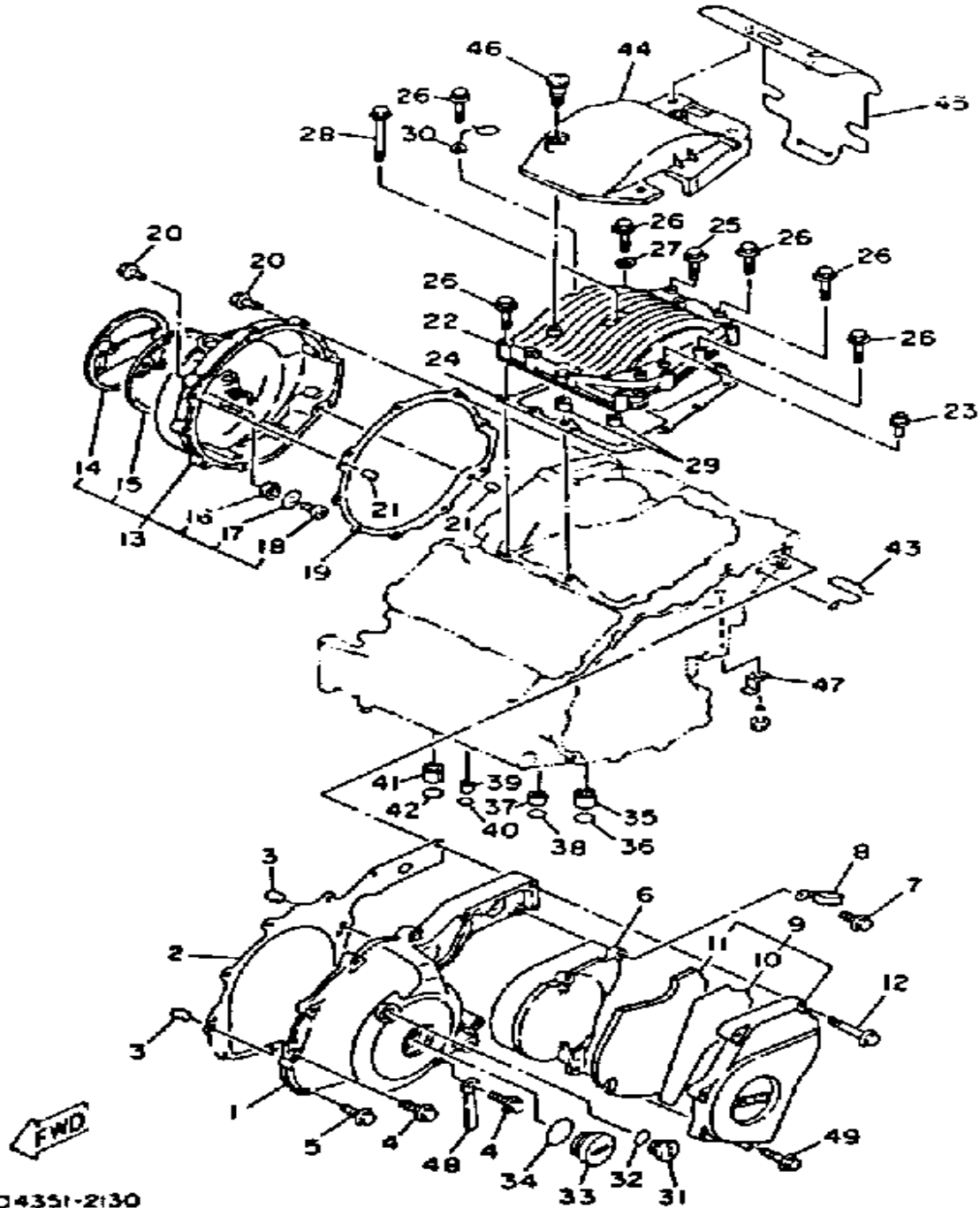
CONTINUED ON NEXT FRAME ►



3VD4351-2130

# CRANKCASE COVER 1

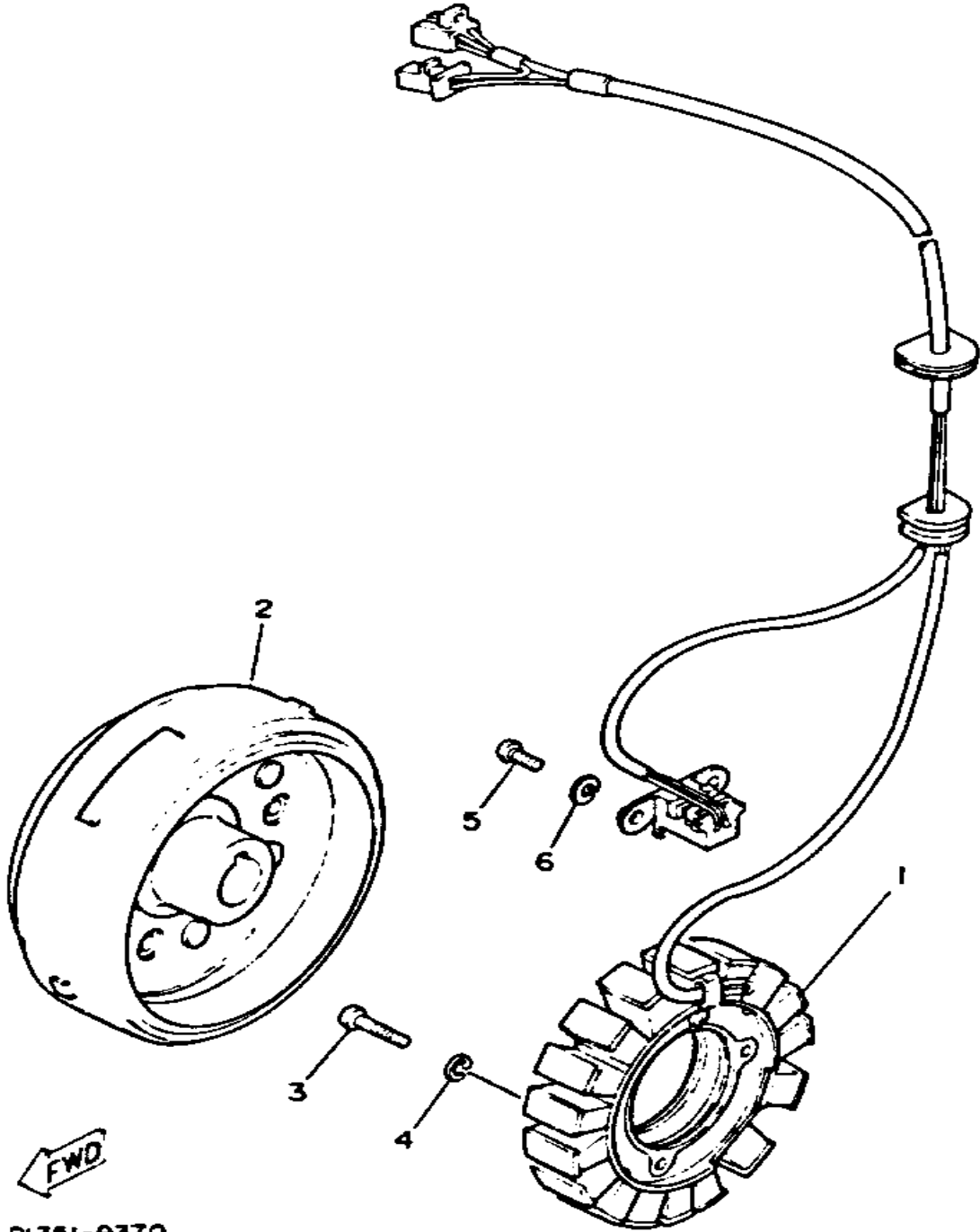
Ref. No.	Part Number	Description	Qty	Remarks
26	95026-06035-00	BOLT, FLANGE .....	10	
27	90201-066F0-00	WASHER, PLATE .....	1	
28	95026-06070-00	BOLT, FLANGE .....	1	
29	99530-10014-00	PIN, DOWEL .....	2	
30	90465-26349-00	CLAMP .....	1	
31	90340-14138-00	PLUG, STRAIGHT SCRW .....	1	
32	93210-14369-00	O-RING .....	1	
33	90340-32137-00	PLUG, STRAIGHT SCRW .....	1	
34	93210-32172-00	O-RING .....	1	
35	90387-086W7-00	COLLAR .....	1	
36	93210-10096-00	O-RING .....	1	
37	90387-106W6-00	COLLAR .....	1	
38	93210-12790-00	O-RING .....	1	
39	90387-06761-00	COLLAR .....	1	
40	93210-07438-00	O-RING .....	1	
41	90387-130W6-00	COLLAR .....	1	
42	93210-15566-00	O-RING .....	1	
43	90465-20342-00	CLAMP .....	1	
44	3VD-15490-00-00	COVER ASSEMBLY .....	1	
45	3VD-21621-00-00	FLAP .....	1	
46	3KJ-15481-00-00	BOLT 1 .....	3	
47	90462-10147-00	CLAMP (54U) .....	1	
48	90465-06332-00	CLAMP .....	1	
49	95026-06030-00	BOLT, FLANGE .....	1	



3VD4351-2130

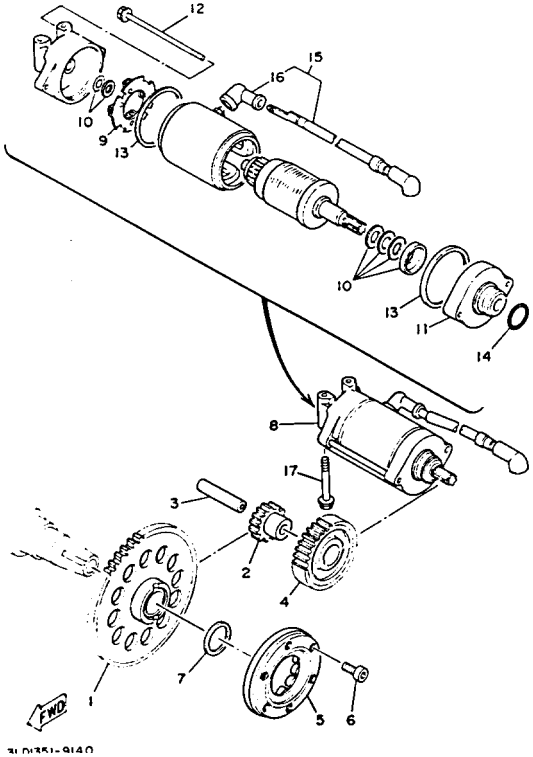
# GENERATOR

Ref. No.	Part Number	Description	Qty	Remarks
1	3LD-81410-00-00	STATOR ASSEMBLY .....	1	
2	3VD-81450-00-00	ROTOR ASSEMBLY .....	1	
3	98580-06030-00	SCREW PAN HEAD .....	3	
4	92995-06100-00	WASHER, SPRING .....	3	
5	98580-05016-00	SCREW, PAN HEAD .....	2	
6	92990-05100-00	WASHER, SPRING .....	2	



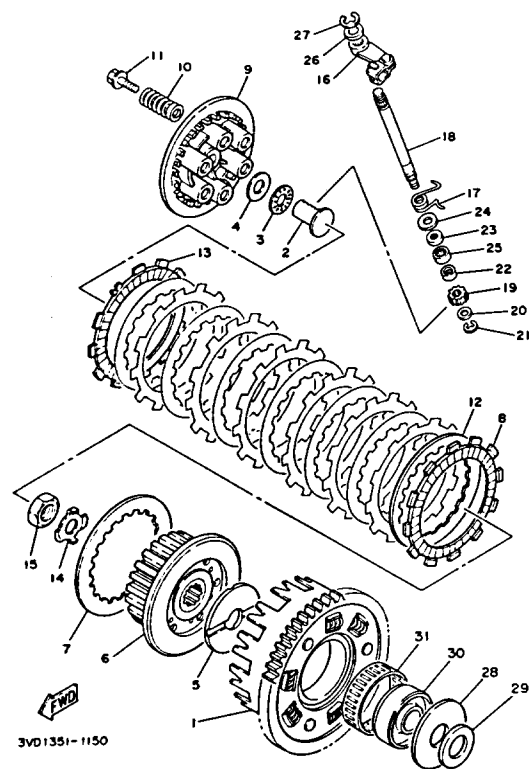
3LD1351-9370

# STARTER CLUTCH



Ref. No.	Part Number	Description	Qty	Remarks
1	3LD-15515-00-00	GEAR 3	1	
2	3LD-15517-00-00	GEAR, IDLER 2	1	
3	26H-15521-00-00	SHAFT 1	1	
4	3LD-15512-00-00	GEAR, IDLER 1	1	
5	3LD-15590-01-00	STR CHN GUIDE ASSEMBLY	1	
6	91316-06018-00	BOLT, SOCKET HEAD	3	
7	90201-301P3-00	WASHER, PLATE	1	
8	3LD-81800-00-00	STARTING MOTOR ASSEMBLY	1	
9	3AJ-81801-00-00	. BRUSH SET	1	
10	3AJ-81809-00-00	. WASHER KIT	1	
11	3AJ-81830-00-00	. FRONT BRACKET ASSEMBLY	1	
12	3AJ-81826-00-00	. BOLT	2	
13	11H-81844-00-00	. GASKET	2	
14	26H-81847-00-00	. O-RING	1	
15	3LD-81815-00-00	. WIRE, STARTER	1	
16	5H0-81871-00-00	.. CAP	1	
17	95811-06050-00	BOLT, FLANGE	2	

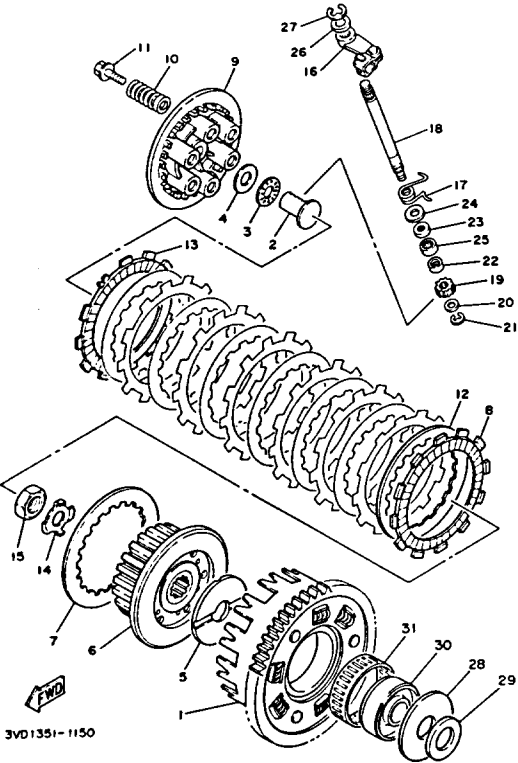
# CLUTCH



Ref. No.	Part Number	Description	Qty	Remarks
1	3VD-16150-01-00	PRI DRVN GEARCOMP. ....	1	
2	3LD-1637A-00-00	ROD PUSH ASSEMBLY ....	1	
3	93340-21505-00	BEARING .....	1	
4	90201-150H2-00	WASHER, PLATE .....	1	
5	4H7-16154-00-00	PLATE, THRUST 1 .....	1	
6	3VD-16371-00-00	BOSS, CLUTCH (3VD-16371-01-00) .....	1	
7	168-16324-00-00	PLATE, CLUTCH 1 .....	1	
8	4H7-16321-01-00	PLATE, FRICTION .....	7	
9	3LD-16351-00-00	PLATE, PRESSURE 1 .....	1	
10	90501-225A9-00	SPRING, COMPRESSION .....	6	
11	90159-06123-00	SCREW, WITH WASHER .....	6	
12	31A-16325-00-00	PLATE, CLUTCH 2 .....	7	
13	31A-16321-00-00	PLATE, FRICTION .....	1	
14	90215-20231-00	WASHER, LOCK .....	1	
15	90170-20327-00	NUT .....	1	
16	3VD-16340-00-00	PUSH LEVER ASSEMBLY .....	1	
17	90508-161A4-00	SPRING, TORSION .....	1	
18	3LD-16382-00-00	AXLE, PUSH LEVER .....	1	
19	3LD-16398-00-00	PINION, RELEAS .....	1	
20	92901-08600-00	WASHER .....	1	
21	99080-07600-00	CIRCLIP (E) .....	1	
22	93317-11020-00	BEARING .....	1	
23	93102-12224-00	OIL SEAL .....	1	
24	90201-12M34-00	WASHER, PLATE .....	1	
25	93315-11206-00	BEARING .....	1	
26	90201-10119-00	WASHER, PLATE .....	1	
27	99009-10400-00	CIRCLIP .....	1	
28	3VD-16164-00-00	PLATE, THRUST 2 .....	1	

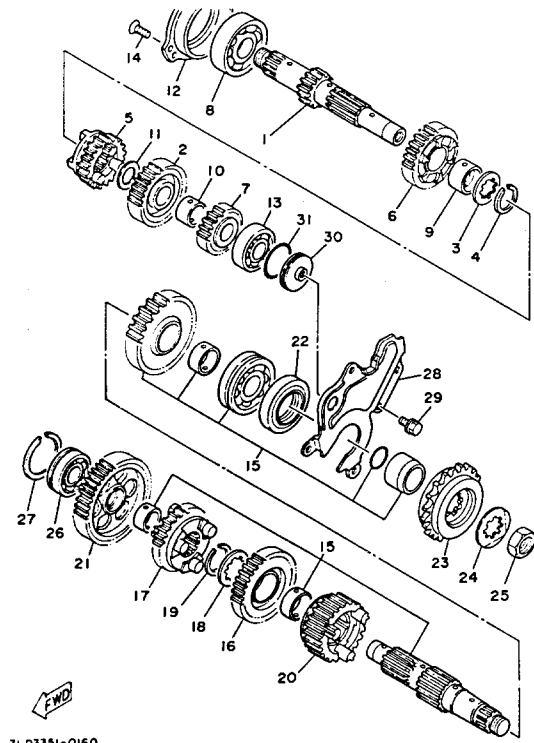
CONTINUED ON NEXT FRAME ►

# CLUTCH



Ref. No.	Part Number	Description	Qty	Remarks
29	3VD-16154-00-00	PLATE, THRUST 1 .....	1	
30	3LD-16181-00-00	SPACER 1 .....	1	
31	93310-365B8-00	BEARING CYLINDRICA .....	1	

# TRANSMISSION

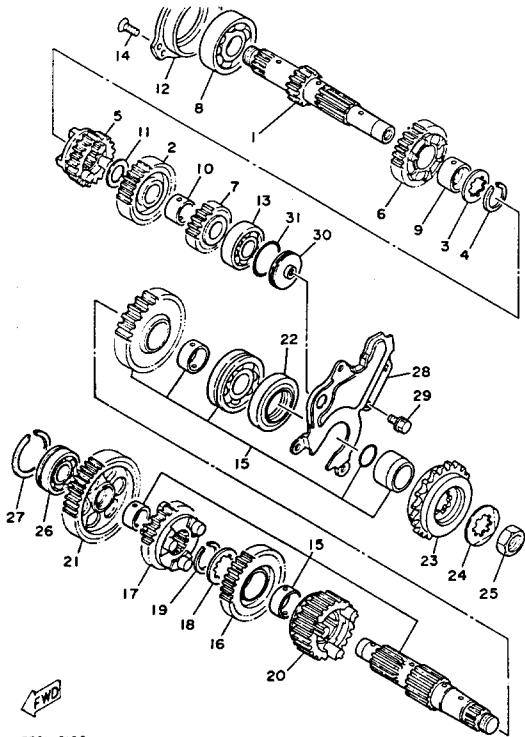


3L03351-0160

Ref. No.	Part Number	Description	Qty	Remarks
1	3LD-17411-00-00	AXLE, MAIN (13T)	1	
2	3VD-17151-00-00	GEAR, 5TH PINION (30T)	1	
3	90209-22191-00	WASHER	1	
4	93440-25084-00	CIRCLIP	1	
5	3VD-17131-00-00	GEAR, 3RD PINION (22T)	1	
6	3VD-17141-00-00	GEAR, 4TH PINION (27T)	1	
7	3LD-17121-00-00	GEAR, 2ND PINION (21T)	1	
8	93306-30525-00	BEARING (B6305)	1	
9	90387-253M6-00	COLLAR	1	
10	90387-203M7-00	COLLAR	1	
11	90201-200K3-00	WASHER, PLATE	1	
12	3LD-15163-10-00	HOUSING, BEARING 1	1	
13	93306-20464-00	BEARING	1	
14	90149-06286-00	SCREW	3	
15	3LD-17402-00-00	DRIVE AXLE ASSEMBLY	1	
16	3VD-17231-00-00	GEAR, 3RD WHEEL (29T)	1	
17	3VD-17241-00-00	GEAR, 4TH WHEEL (29T)	1	
18	90209-25196-00	WASHER	1	
19	93440-28062-00	CIRCLIP	1	
20	3VD-17251-00-00	GEAR, 5TH WHEEL (27T)	1	
21	3LD-17211-00-00	GEAR, 1ST WHEEL (37T)	1	
22	93102-35381-00	OIL SEAL, SD-TYPE (SD6-35-62-5-1L-HS)	1	
23	3VD-17460-00-00	SPROCKET, DRIVE 16T (16T)	1	
24	90215-21022-00	WASHER, LOCK	1	
25	90179-18020-00	NUT	1	
26	93306-20455-00	BEARING	1	
27	93440-45144-00	CIRCLIP	1	
28	3LD-17471-01-00	PLATE, COVER	1	

CONTINUED ON NEXT FRAME ►

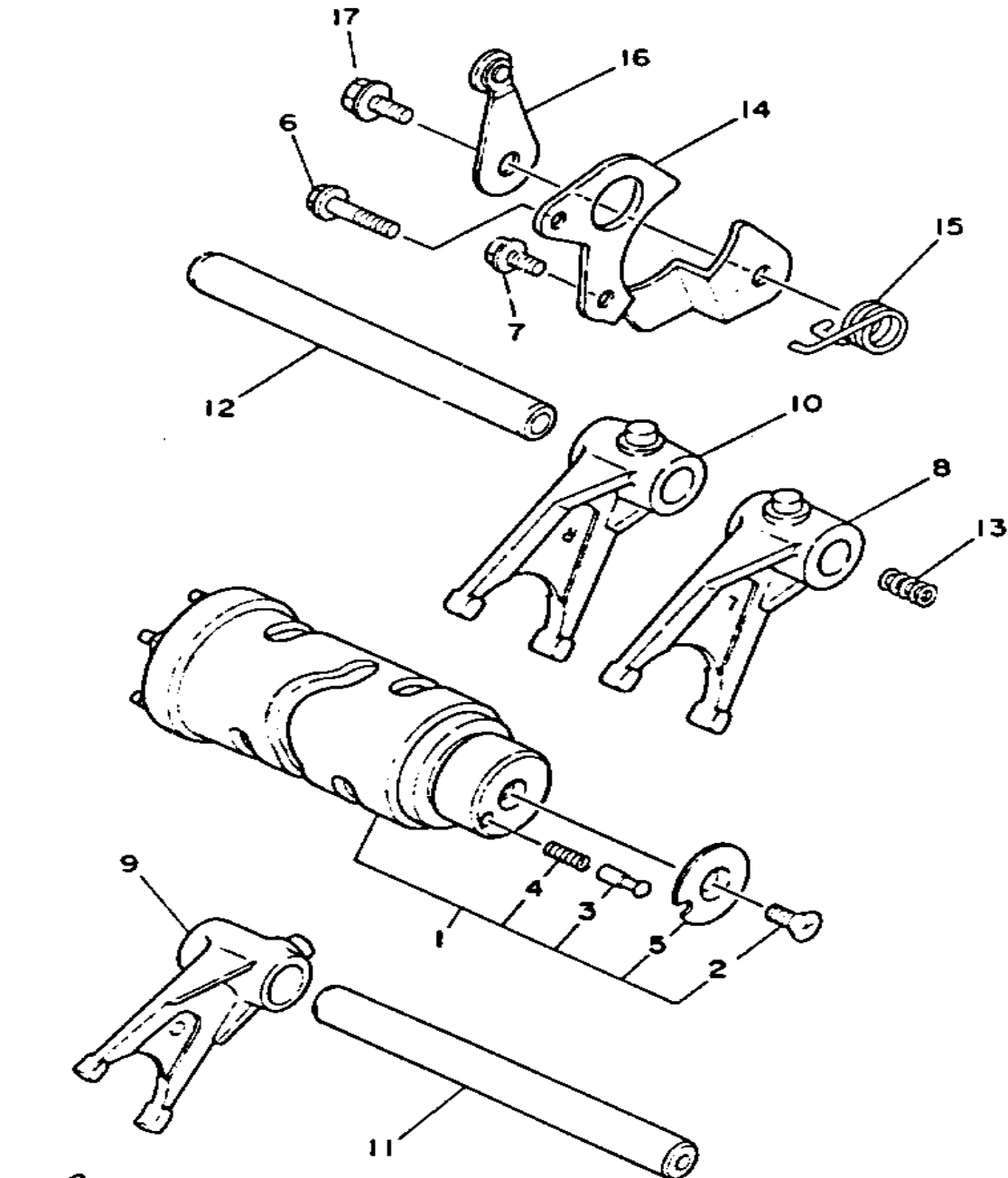
# TRANSMISSION



3L03351-0160

Ref. No.	Part Number	Description	Qty	Remarks
29	95811-06012-00	BOLT, FLANGE .....	5	
30	3LD-15414-00-00	COVER, AIR CLEANER .....	1	
31	93210-33133-00	O-RING .....	1	

# SHIFT CAM - FORK

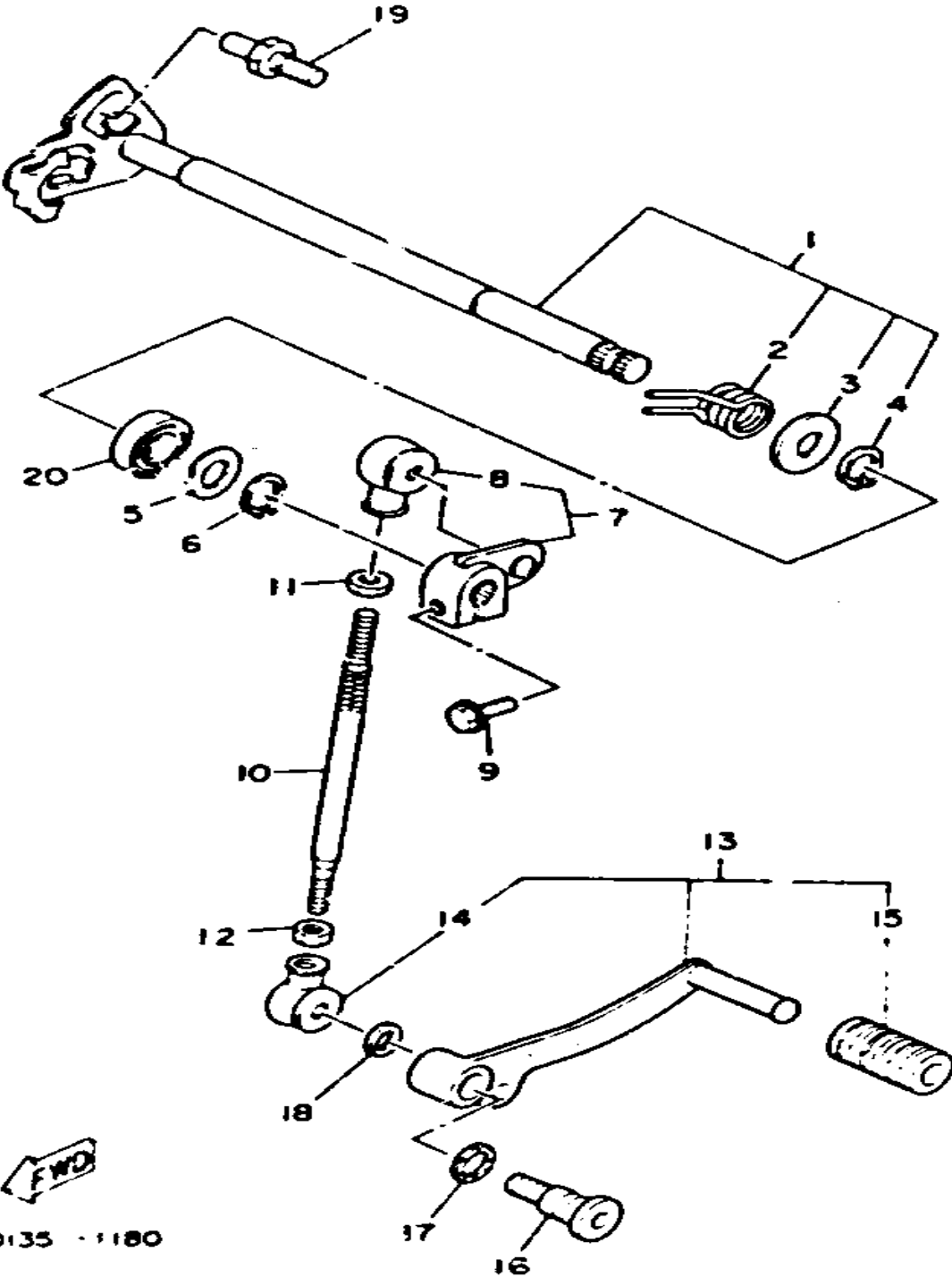


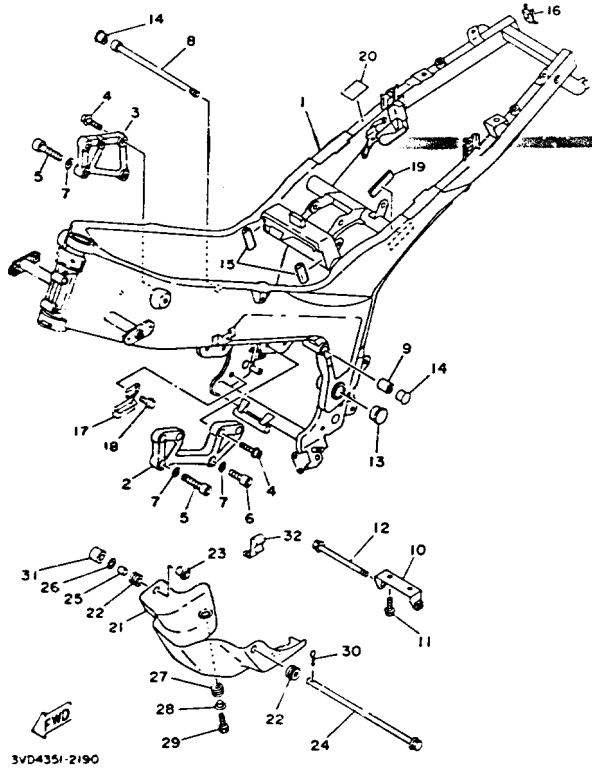
Ref. No.	Part Number	Description	Qty	Remarks
1	3VD-18540-00-00	SHIFT CAM ASSEMBLY	1	
2	98701-05012-00	. SCREW, FLAT HEAD	1	
3	278-18542-00-00	. POINT, NEUTRAL	1	
4	90501-06022-00	. SPRING, COMPRESSION	1	
5	278-18566-00-00	. PLATE, SIDE 2	1	
6	90105-06597-00	BOLT, WASHER BASED	1	
7	90105-06397-00	BOLT, WASHER BASED	1	
8	3LD-18511-00-00	FORK, SHIFT 1 (L)	1	
9	3LD-18512-00-00	FORK, SHIFT 2 (C)	1	
10	3LD-18513-00-00	FORK, SHIFT 3 (R)	1	
11	3VD-18531-00-00	BAR, SHIF FRK GDE 1	1	
12	3VD-18535-00-00	BAR, SHIF FRK GDE 2	1	
13	90501-071F1-00	SPRING, COMPRESSION	1	
14	3LD-18536-00-00	STOPPER, SHIFT BAR	1	
15	90508-262A2-00	SPRING, TORSION	1	
16	36Y-18140-00-00	STOPPER LEVER ASSEMBLY	1	
17	90109-063F8-00	BOLT	1	

3LD1351-9170

# SHIFT SHAFT

Ref. No.	Part Number	Description	Qty	Remarks
1	3LD-18101-01-00	SHIFT SHAFT ASSEMBLY 1	1	
2	90508-32682-00	. SPRING, TORSION	1	
3	90201-191J4-00	. WASHER, PLATE	1	
4	99009-19400-00	. CIRCLIP	1	
5	90201-12575-00	WASHER, PLATE	1	
6	99006-10600-00	CIRCLIP	1	
7	3LD-18130-00-00	SHIFT SHAFT ASSEMBLY.	1	
8	2H9-18154-00-00	. COVER, DUST	1	
9	95826-06020-00	BOLT, flange (95806-06020-00)	1	
10	3VD-18115-00-00	ROD, SHIFT	1	
11	90170-06228-00	NUT (COUNTER CLOCKWISE)	1	
12	95380-06700-00	NUT	1	
13	3VD-18110-00-00	SHIFT PEDAL ASSEMBLY	1	
14	2H9-18154-00-00	. COVER, DUST	1	
15	132-18113-01-00	. COVER, SHIFT PEDAL	1	
16	2YK-27434-01-00	BOLT	1	
17	90206-12074-00	WASHER, WAVE	1	
18	90201-081H4-00	WASHER, PLATE	1	
19	4G0-18127-00-00	STOPPER, SCREW	1	
20	93102-12321-00	OIL SEAL, SD-TYPE	1	



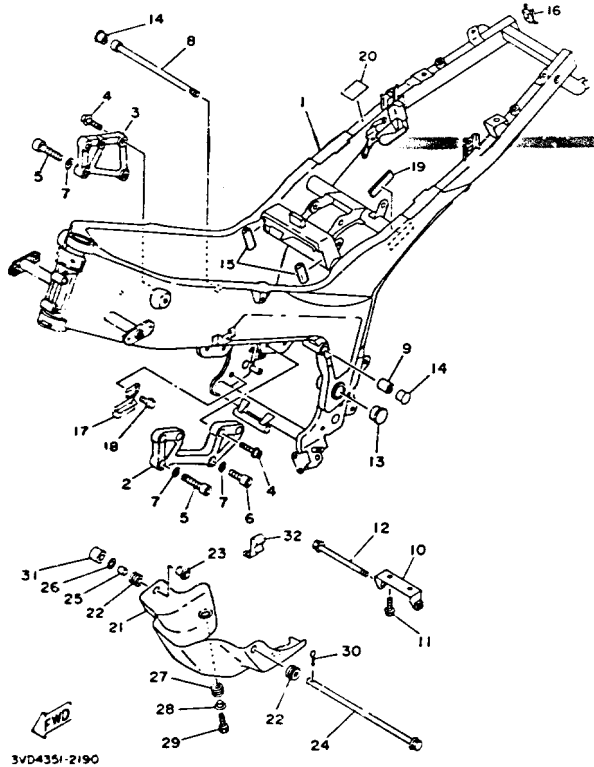


# FRAME

Ref. No.	Part Number	Description	Qty	Remarks
1	3VD-21110-01-LY	FRAME .....	1	MIDNIGHT GRAY
2	3VD-21411-00-00	BRACKET, ENGINE 1 .....	1	
3	3VD-21419-01-00	BRACKET, ENGINE 2 .....	1	
4	90109-085F7-00	BOLT .....	7	
5	91316-10045-00	BOLT .....	3	
6	91316-10030-00	BOLT, SOCKET HEAD .....	1	
7	90201-100F7-00	WASHER, PLATE .....	4	
8	90110-10175-00	BOLT, HEX SKT HEADHEXAGON SOCKET HEAD .....	1	
9	90179-10377-00	NUT, SPEC'L SHAPE .....	1	
10	3VD-21489-00-00	BRACKET, ENG LOWERENGINE LOWER .....	1	
11	95821-08020-00	BOLT, FLANGE (95801-08020) .	2	
12	90105-10328-00	BOLT, WASHER BASED .....	1	
13	3SX-2135F-00-00	COVER .....	2	
14	3LD-2143A-00-00	CAP .....	2	
15	1HX-24188-01-00	MOLD, FUEL TANK .....	2	
16	3VD-2143A-00-00	CAP .....	2	
17	3VD-21164-00-00	HOLDER, WIRE .....	1	
18	95826-06010-00	BOLT, FLANGE .....	1	
19	34M-21639-00-00	DAMPER 2 .....	1	
20	5H0-8235Y-M0-00	DAMPER, LOCATING 5 (2GH-24185-00-00) .....	1	
21	3VD-15491-00-00	PROTECTOR .....	1	
22	90480-15397-00	GROMMET .....	2	
23	3VD-15764-00-00	COLLAR 1 .....	2	
24	3VD-15659-00-00	SHAFT .....	1	
25	3VD-15327-00-00	SPACER, ENG MOUNT .....	1	
26	90201-08326-00	WASHER, PLATE .....	1	

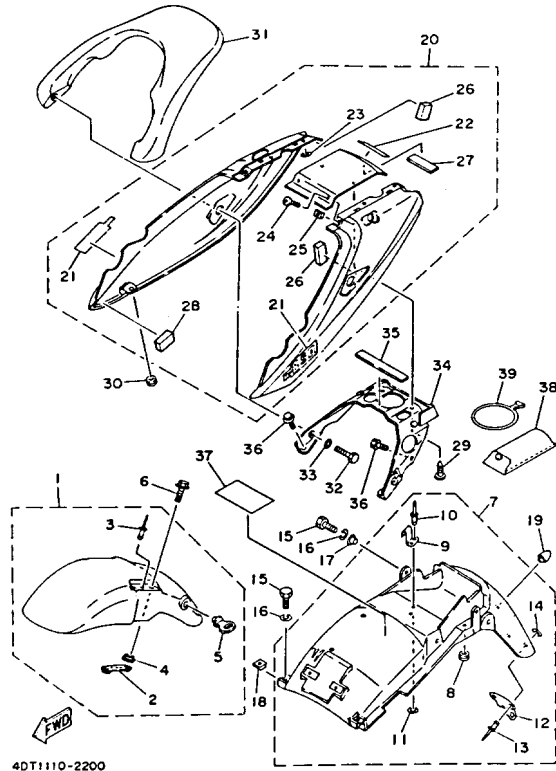
CONTINUED ON NEXT FRAME ►

# FRAME



Ref. No.	Part Number	Description	Qty	Remarks
27	90480-14023-00	GROMMET .....	2	
28	90387-07391-00	COLLAR .....	2	
29	97011-06025-00	BOLT (97001-06025) .....	2	
30	91401-25020-00	PIN, COTTER .....	1	
31	10V-25188-00-00	CAP .....	1	
32	(90465-08252-00)	CLAMP .....	1	

# FENDER

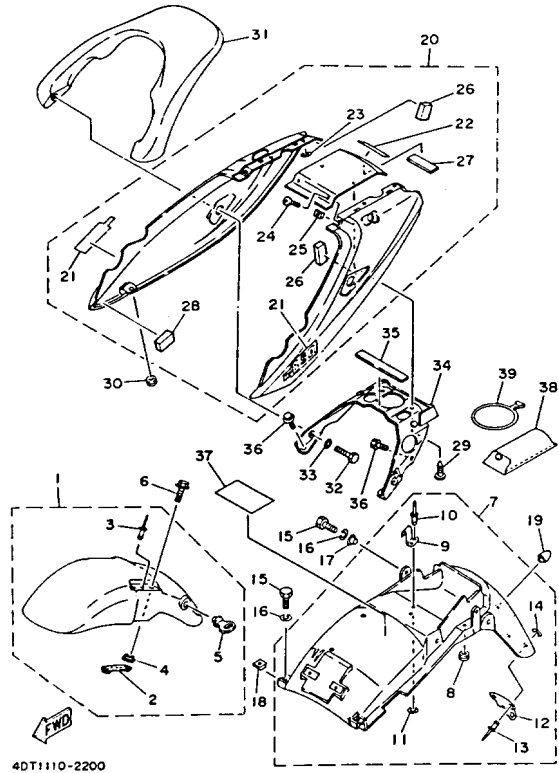


4DT1110-2200

Ref. No.	Part Number	Description	Qty	Remarks
1	3VD-Y2151-00-P0	FRONT FENDER COMP	1	VIVID RED COCKTAIL 1
2	3GM-21512-00-00	. BRACKET, FENDER	2	
3	90267-32071-00	. RIVET, BLIND	2	
4	90387-065T2-00	. COLLAR (2GH)	4	
5	1A8-21518-00-00	. HOLDER, CABLE	1	
6	90105-06605-00	. BOLT, WASHER BASED	4	
7	3VD-Y2161-70-00	REAR FENDER COMP	1	
8	90480-10258-00	. GROMMET	2	
9	3VD-21366-00-00	. HOOK, TOOL BAND	1	
10	90267-40073-00	. RIVET, BLIND	2	
11	92990-04200-00	. WASHER, PLAIN	2	
12	3HE-85132-00-00	. BRACKET, REFLECT 1	1	
13	90267-40076-00	. RIVET, BLIND	2	
14	90201-044A2-00	. WASHER, PLATE	2	
15	97011-06020-00	BOLT	4	
16	92995-06100-00	WASHER, SPRING	4	
17	90387-07717-00	COLLAR	2	
18	90183-06023-00	NUT, SPRING	2	
19	4G0-21639-00-00	DAMPER 2	1	
20	3VD-W247K-10-P0	COVER, TAIL ASSEMBLY.	1	VIVID RED COCKTAIL 1
21	3VD-21737-10-00	. EMBLEM	2	
22	99236-00020-00	. EMBLEM, YAMAHA	1	
23	90183-08065-00	. NUT, SPRING	4	
24	98906-05012-00	. SCREW, BIND	2	
25	90183-05024-00	. NUT, SPRING	2	
26	2YK-21747-00-00	. DAMPER	4	
27	1AE-2837J-00-00	. DAMPER 5	1	

CONTINUED ON NEXT FRAME ►

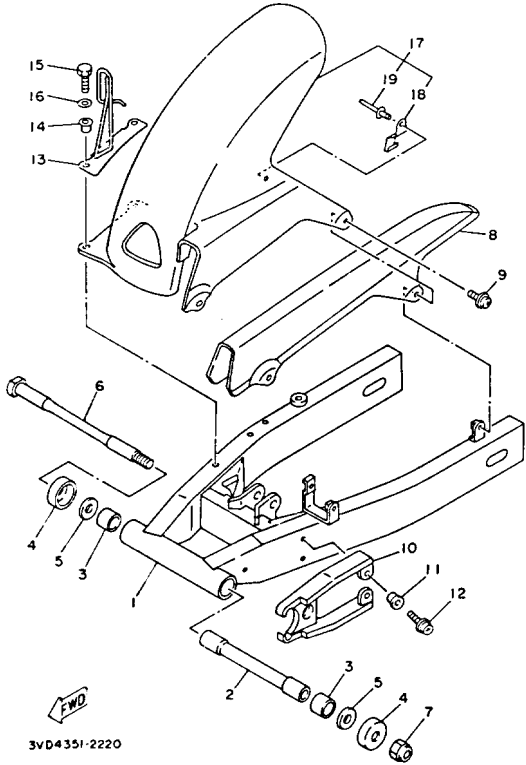
# FENDER



4DT1110-2200

Ref. No.	Part Number	Description	Qty	Remarks
28	3VD-21717-00-00	. DAMPER .....	2	
29	97706-50012-00	SCREW, TAPPING .....	2	
30	90480-12550-00	GROMMET .....	1	
	90480-12550-00	GROMMET .....	2	
31	3VD-21645-00-P0	STAY, REAR .....	1	VIVID RED COCKTAIL 1
32	97026-08035-00	BOLT (TJ) .....	4	
33	92906-08600-00	WASHER .....	4	
34	3VD-2117E-00-00	BRACKET, TAILLIGHT .....	1	
35	J44-78248-00-00	SEAL 4 .....	1	
36	95816-08016-00	BOLT, FLANGE .....	4	
37	4DT-2179R-00-00	PLATE, EPA CAL 2 (CALIFORNIA) .....	1	UR
	4DT-2179V-00-00	PLATE, EPA U49 (NON CALIFORNIA) .....	1	UR
38	3VD-28100-00-00	TOOL KIT .....	1	
39	3YX-21376-00-00	BAND, TOOL .....	1	

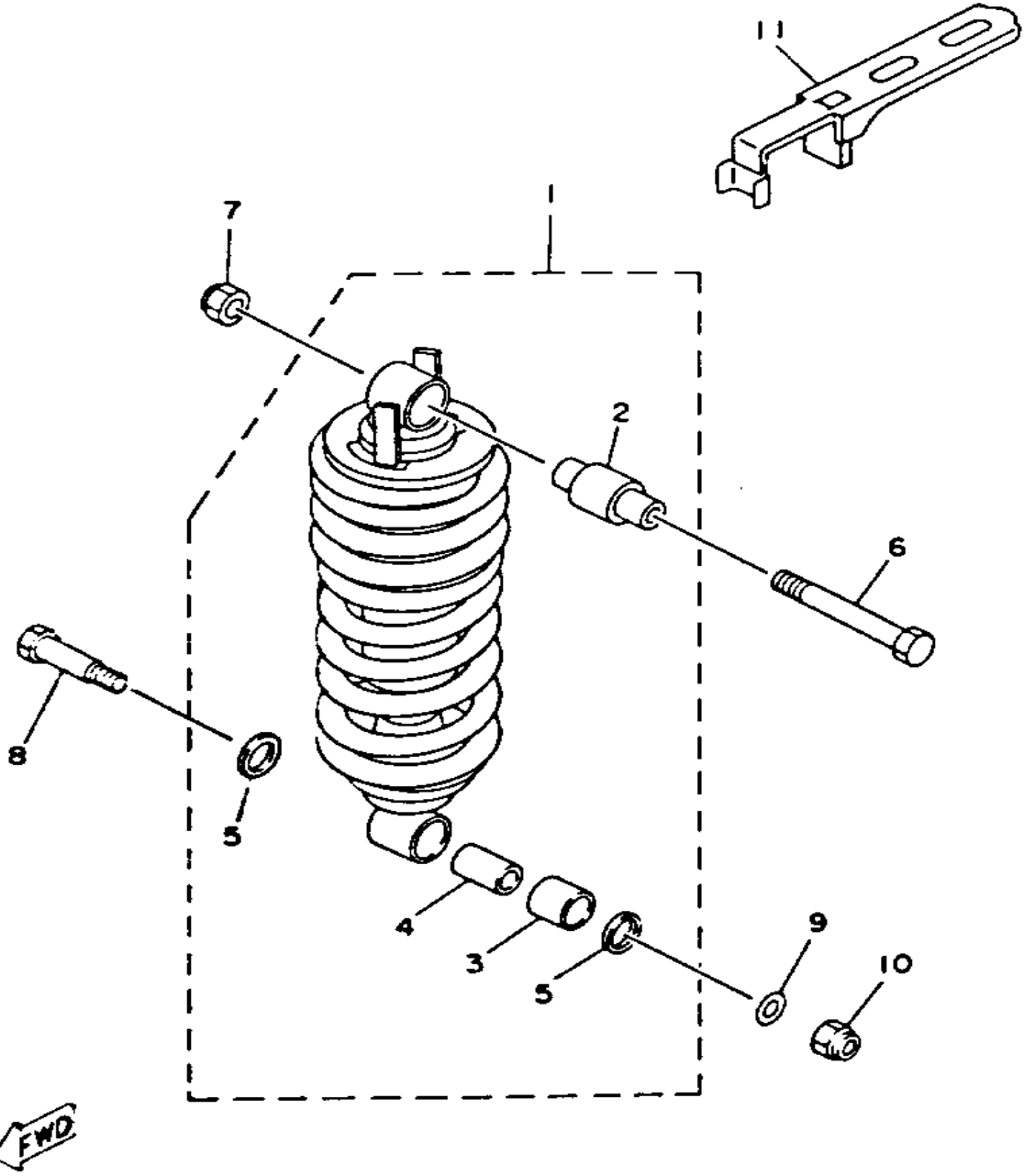
# SWING ARM



Ref. No.	Part Number	Description	Qty	Remarks
1	3VD-22110-00-00	REAR ARM .....	1	
2	33M-22184-00-00	BUSH .....	1	
3	93320-32403-00	BEARING .....	2	
4	4X7-22129-00-00	COVER, THRUST 2 .....	2	
5	90201-161J3-00	WASHER, PLATE .....	2	
6	46X-22141-00-00	SHAFT, PIVOT .....	1	
7	90185-14070-00	NUT, SELF-LOCKING .....	1	
8	3VD-22311-00-00	CASE, CHAIN .....	1	
9	90159-06071-00	SCREW, WITH WASHER .....	2	
10	3VD-22151-00-00	SEAL, GUARD .....	1	
11	90387-06681-00	COLLAR .....	3	
12	90159-06084-00	SCREW, WITH WASHER .....	3	
13	3VD-25875-01-00	HOLDER, BRKE HOSE 1 .....	1	
14	90387-064J1-00	COLLAR .....	2	
15	97011-06025-00	BOLT (97001-06025) .....	2	
16	92906-06600-00	WASHER .....	2	
17	3VD-W2165-00-00	COVER, REAR FENDERREAR TIRE .....	1	
18	3VD-2164F-00-00	. STAY 1 .....	1	
19	90267-40110-00	. RIVET, BLIND .....	1	

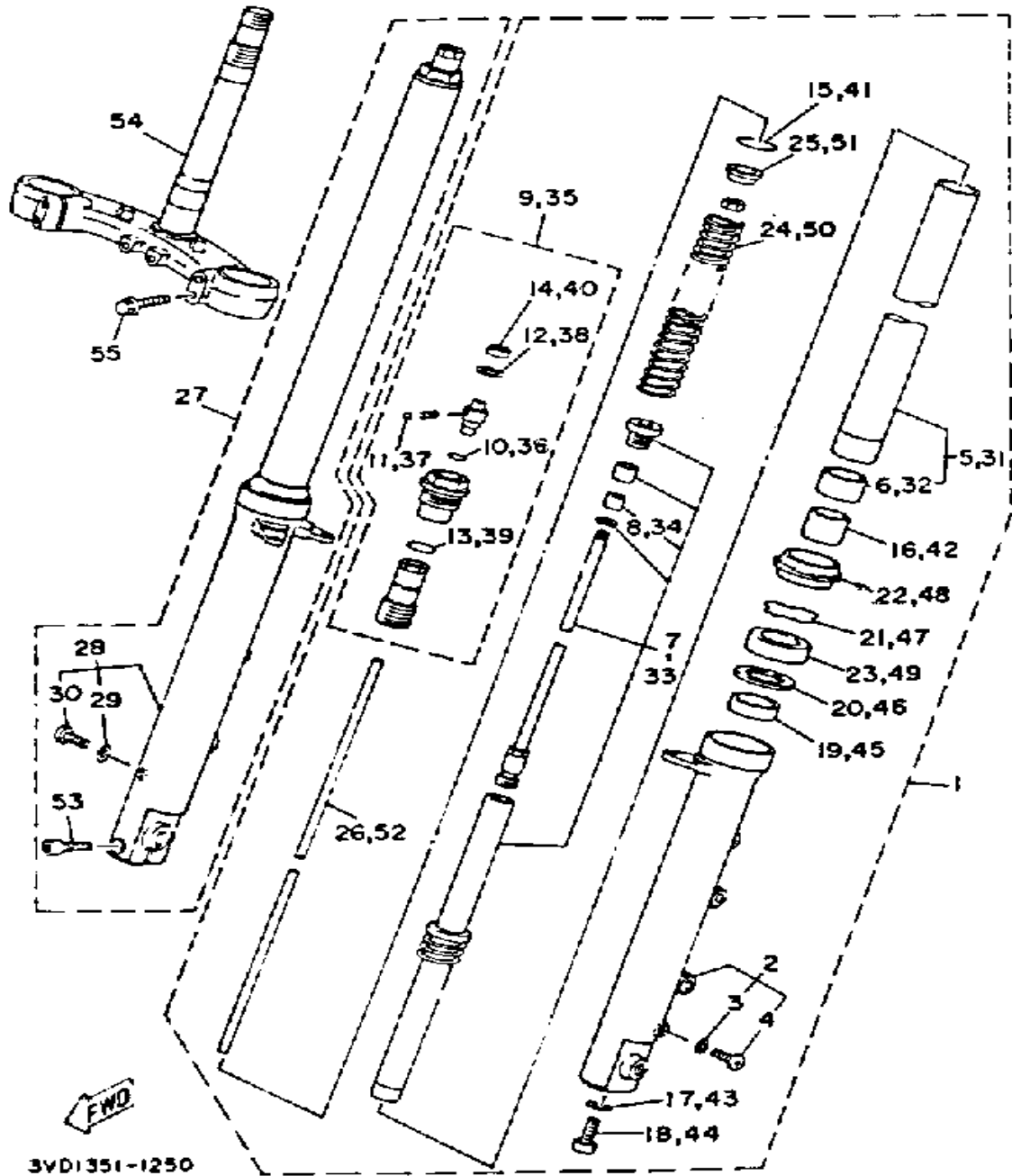
# REAR SHOCKS

Ref. No.	Part Number	Description	Qty	Remarks
1	3VD-22210-01-00	SHK/ABS ASSEMBLY, REARREAR (3VD-22210-10-00)	1	
2	3VD-22216-00-00	. BUSH, RR SHOCK ABSREAR SHOCK ABSORBER	1	
3	90384-18190-00	. BUSH, BIMETAL FORMBIMETAL FORMED	1	
4	90387-127X0-00	. COLLAR (3VD)	1	
5	90109-125F1-00	BOLT	1	
	93109-18020-00	. OIL SEAL	2	
7	95601-12100-00	NUT, U	1	
8	90101-10659-00	BOLT	1	
9	90201-124G9-00	WASHER, PLATE	1	
10	95611-10100-00	NUT, U	1	
11	3VD-22464-00-00	KNOB, CONTROL	1	



3VD1351-1230

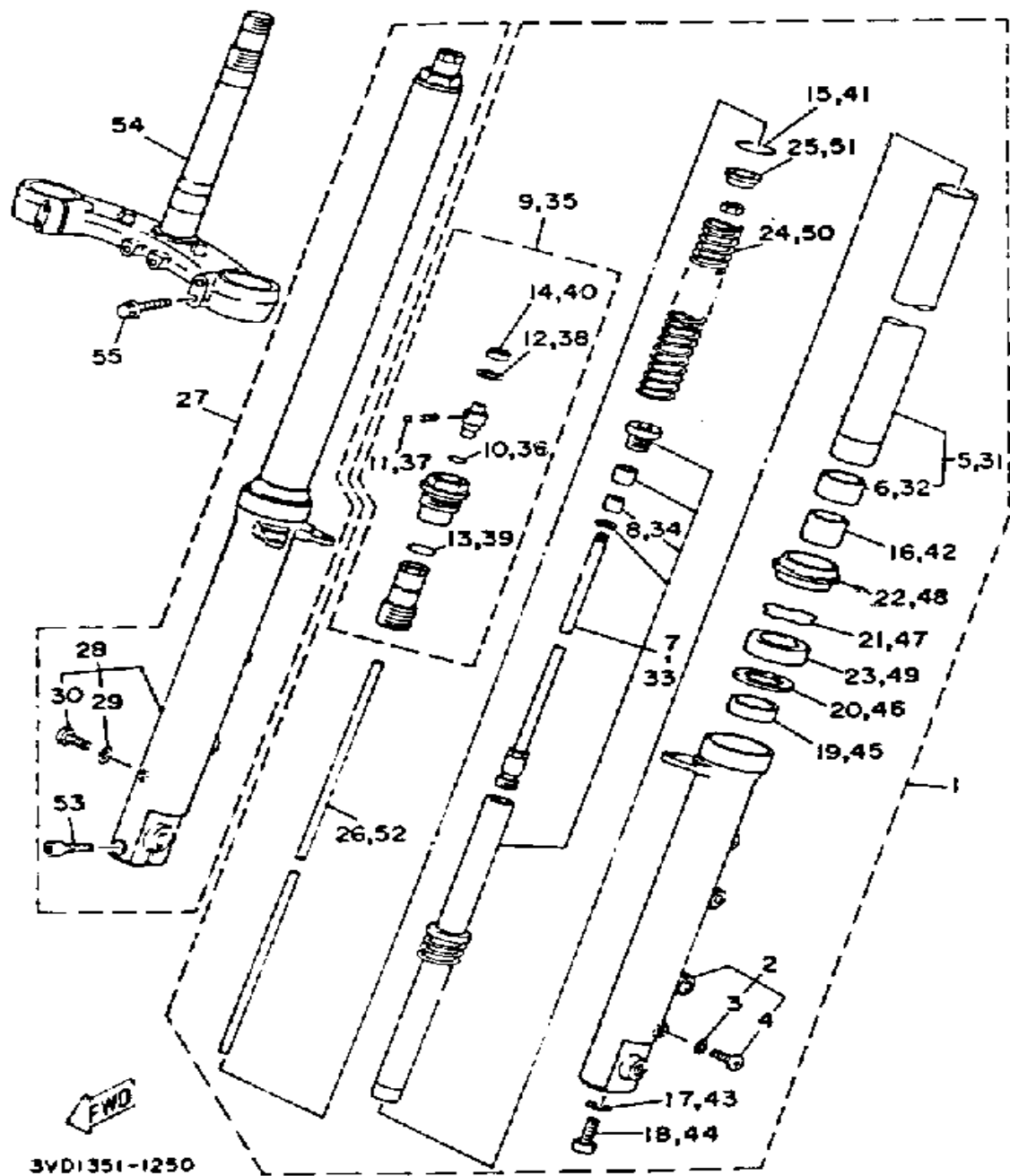
# FRONT FORK



Ref. No.	Part Number	Description	Qty	Remarks
1	3VD-23102-01-00	FRONT FORK ASSEMBLY L (L.H)	1	
2	3VD-23106-00-00	. OUTER TUBE LH (L.H)	1	
3	5U8-23129-00-00	. . GASKET, DRAIN PLUG	1	
4	98511-04006-00	. . SCREW, PAN HEAD (98501-04005)	1	
5	3VD-23110-00-00	. INNER TUBE 1	1	
6	3VD-23135-00-00	. . METAL, SLIDE 2	1	
7	3VD-2330E-00-00	. DAMPER ASSEMBLY	1	
8	3VD-2312K-00-00	. . PISTON, FRNT FORK	1	
9	3VD-23111-00-00	. BOLT, CAP	1	
10	93210-09350-00	. . O-RING	1	
11	93503-16010-00	. . BALL	1	
12	3VD-23183-00-00	. . CIRCLIP	1	
13	93210-18N01-00	. . O-RING	1	
14	3VD-2319U-00-00	. . CAP	1	
15	93210-35N02-00	. O-RING	1	
16	3VD-23173-00-00	. SPINDLE, TAPER	1	
17	90430-10171-00	. GASKET	1	
18	91311-10025-00	. BOLT	1	
19	3VD-23125-01-00	. METAL, SLIDE 1	1	
20	3VD-23115-00-00	. GUIDE, COVER UPPER	1	
21	3VD-23156-00-00	. CLIP, OIL SEAL	1	
22	3VD-23144-00-00	. SEAL, DUST	1	
23	3VD-23145-00-00	. OIL SEAL	1	
24	3VD-23141-01-00	. SPRING, FRONT FORK	1	
25	3VD-23142-00-00	. SEAT, SPRING UPPER	1	
26	3VD-2318Y-00-00	. PLUNGER	1	
27	3VD-23103-01-00	FRONT FORK ASSEMBLY R (R.H)	1	

CONTINUED ON NEXT FRAME ➤

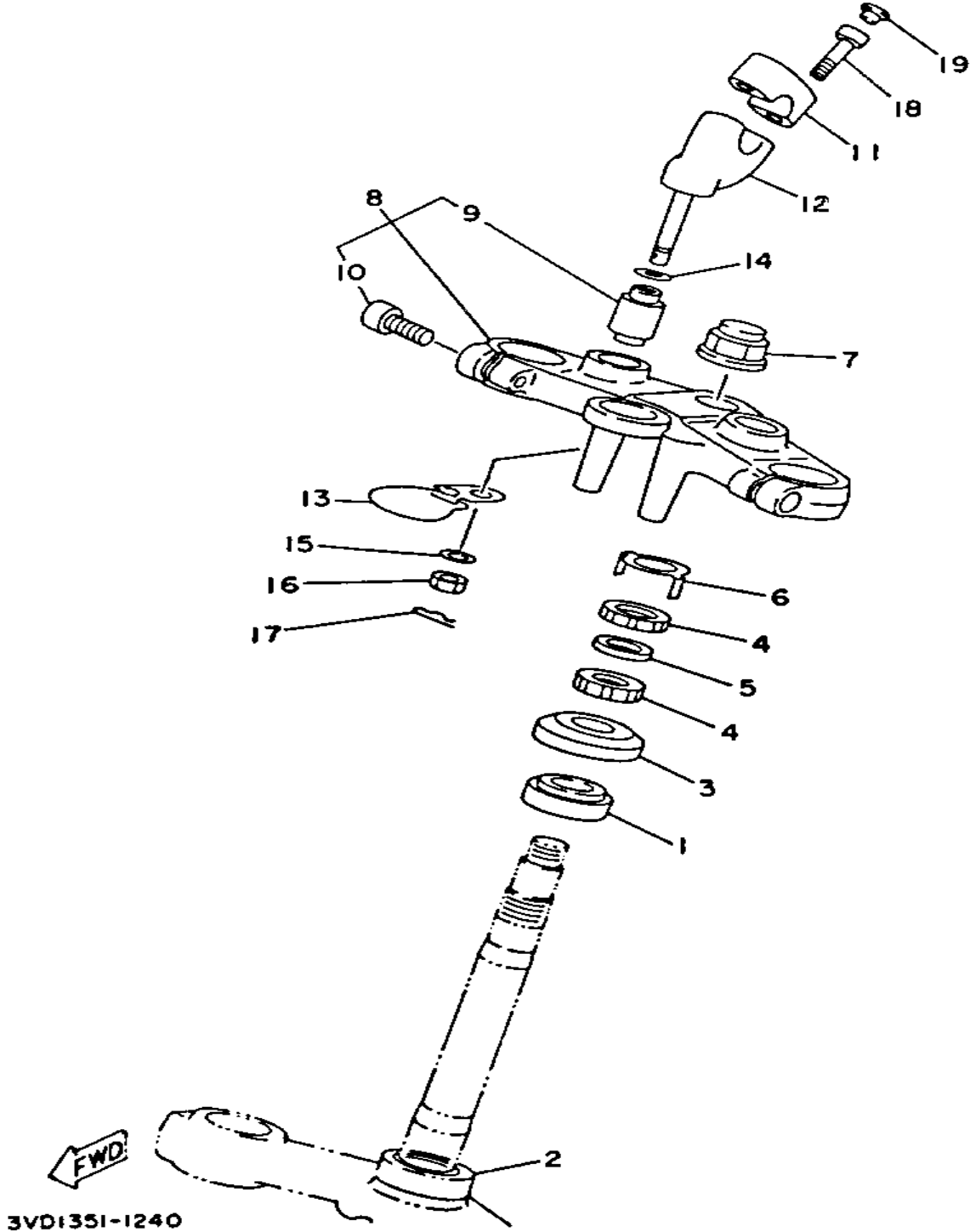
# FRONT FORK

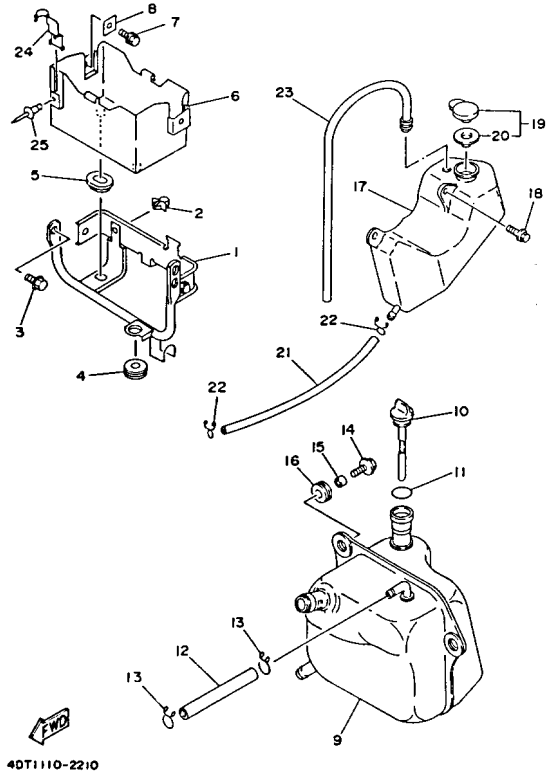


Ref. No.	Part Number	Description	Qty	Remarks
28	3VD-23107-00-00	. OUTER TUBE RH (R.H)	1	
29	5U8-23129-00-00	.. GASKET, DRAIN PLUG	1	
30	98511-04006-00	.. SCREW, PAN HEAD (98501-04005)	1	
31	3VD-23110-00-00	. INNER TUBE 1	1	
32	3VD-23135-00-00	.. METAL, SLIDE 2	1	
33	3VD-2330E-00-00	. DAMPER ASSEMBLY	1	
34	3VD-2312K-00-00	.. PISTON, FRNT FORK	1	
35	3VD-23111-00-00	. BOLT, CAP	1	
36	93210-09350-00	.. O-RING	1	
37	93503-16010-00	.. BALL	1	
38	3VD-23183-00-00	.. CIRCLIP	1	
39	93210-18N01-00	.. O-RING	1	
40	3VD-2319U-00-00	.. CAP	1	
41	93210-35N02-00	. O-RING	1	
42	3VD-23173-00-00	. SPINDLE, TAPER	1	
43	90430-10171-00	. GASKET	1	
44	91311-10025-00	. BOLT	1	
45	3VD-23125-01-00	. METAL, SLIDE 1	1	
46	3VD-23115-00-00	. GUIDE, COVER UPPER	1	
47	3VD-23156-00-00	. CLIP, OIL SEAL	1	
48	3VD-23144-00-00	. SEAL, DUST	1	
49	3VD-23145-00-00	. OIL SEAL	1	
50	3VD-23141-01-00	. SPRING, FRONT FORK	1	
51	3VD-23142-00-00	. SEAT, SPRING UPPER	1	
52	3VD-2318Y-00-00	. PLUNGER	1	
53	91311-08040-00	. BOLT, SOCKET HEAD	1	
54	3VD-23340-00-00	UNDER BRACKET	1	
55	95811-08035-00	BOLT, FLANGE (95821-08035)	4	

# STEERING

Ref. No.	Part Number	Description	Qty	Remarks
1	93332-00001-00	BEARING .....	1	
2	93332-00008-00	BEARING .....	1	
3	3HE-23416-00-00	COVER, BALL RACE 2 .....	1	
4	90179-25033-00	NUT .....	2	
5	90202-26142-00	WASHER, PLATE .....	1	
6	26H-23418-01-00	WASHER, SPECIAL .....	1	
7	90176-22050-00	NUT, CROWN .....	1	
8	3VD-Y2343-00-00	CROWN, HANDLE .....	1	
9	3VD-23434-00-00	. HOLDER, DAMPER .....	2	
10	91316-08030-00	. BOLT, SOCKET HEAD .....	2	
11	3VD-23441-00-00	HOLDER, HANDLE UPR .....	2	
12	3VD-23442-00-00	HOLDER, HANDLE LWR .....	2	
13	3VD-23389-00-00	GUIDE, CABLE .....	1	
14	90201-100A1-00	WASHER, PLATE .....	3	
15	92901-10100-00	WASHER, SPRING .....	2	
16	95303-10700-00	NUT .....	2	
17	90468-12006-00	CLIP .....	2	
18	91316-08030-00	BOLT, SOCKET HEAD .....	4	
19	341-23469-00-00	CAP, BOLT .....	4	



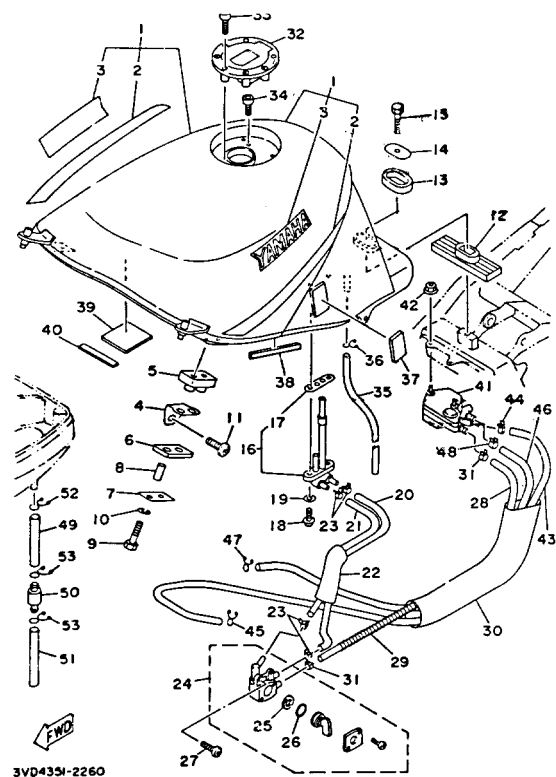


4DT1110-2210

# OIL TANK

Ref. No.	Part Number	Description	Qty	Remarks
1	3VD-22535-00-00	STAY, BATTERY 1 .....	1	
2	90464-11163-00	CLAMP .....	1	
3	95811-06012-00	BOLT, FLANGE .....	3	
4	90480-16233-00	GROMMET .....	1	
5	90480-01401-00	GROMMET .....	1	
6	3VD-2177G-10-00	BOX, BATTERY .....	1	
7	95811-06012-00	BOLT, FLANGE .....	2	
8	90209-07319-00	WASHER, SPEC'L SHAP ....	2	
9	3VD-21750-00-00	OIL TANK ASSEMBLY .....	1	
10	3VD-21761-00-00	GAUGE, LEVEL .....	1	
11	93210-21190-00	O-RING .....	1	
12	3VD-2312F-00-00	HOSE .....	1	
13	90467-10008-00	CLIP .....	2	
14	90119-06096-00	BOLT, WITH WASHER .....	3	
15	90387-060A7-00	COLLAR .....	3	
16	90480-16233-00	GROMMET .....	3	
17	3VD-21871-00-00	TANK, RECOVERY .....	1	
18	90119-06056-00	BOLT, WITH WASHER .....	2	
19	1AA-21815-00-00	CAP (4L0-21875-00-00) .....	1	
20	1AA-21874-00-00	. GASKET .....	1	
21	90445-095E9-00	HOSE .....	1	
22	90467-08017-00	CLIP .....	2	
23	1KF-21816-00-00	PIPE 1 .....	1	
24	4DT-2173A-00-00	HOLDER, VALVE .....	1	CA. ONLY
25	90267-32108-00	RIVET, blind .....	1	CA. ONLY

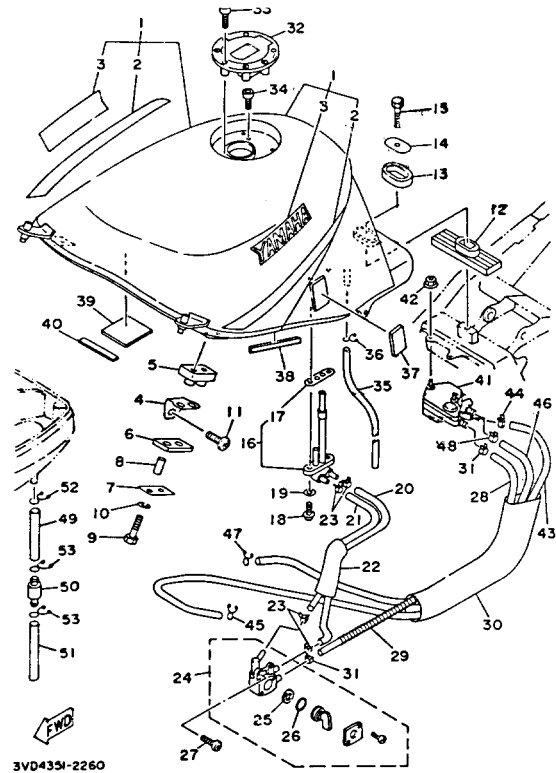
# FUEL TANK



Ref. No.	Part Number	Description	Qty	Remarks
1	3VD-24110-00-02	FUEL TANK .....	1	VIVID RED COCKTAIL 1
2	3VD-24240-10-00	. GRAPHIC SET .....	1	
3	99226-00030-00	. EMBLEM, YAMAHA .....	2	
4	3VD-24191-00-00	BRACKET, FUEL TNK 1 .....	2	
5	3VD-24181-00-00	DAMPER, LOCATING 1 .....	2	
6	47X-24183-00-00	DAMPER, LOCATING 3 .....	2	
7	47X-24186-00-00	WASHER, SPECIAL .....	2	
8	90387-060N3-00	COLLAR .....	4	
9	97001-06035-00	BOLT .....	4	
10	92995-06100-00	WASHER, SPRING .....	4	
11	90109-086A0-00	BOLT .....	2	
12	2GH-24184-00-00	DAMPER, LOCATING 4 .....	1	
13	3Y6-24183-00-00	DAMPER, LOCATING 3 .....	1	
14	12R-24186-00-00	WASHER, SPECIAL .....	1	
15	97011-08030-00	BOLT (97001-08030-00) .....	1	
16	3VD-24560-00-00	FILTER ASSEMBLY .....	1	
17	4X8-24512-00-00	. O-RING .....	1	
18	90149-06011-00	SCREW .....	2	
19	90202-05187-00	WASHER, PLATE .....	2	
20	3VD-24311-00-00	PIPE, FUEL 1 .....	1	
21	3VD-24313-00-00	PIPE 3 .....	1	
22	1JK-24327-00-00	PROTECTOR, PIPE .....	1	
23	90467-10135-00	CLIP .....	4	
24	3LN-24500-00-00	FUEL COCK ASSEMBLY 1 ...	1	
25	3AJ-24523-00-00	. VALVE PACKING .....	1	
26	3AJ-24534-00-00	. SEAL, COCK .....	1	
27	95026-06010-00	BOLT, FLANGE .....	2	
28	90445-112H2-00	HOSE .....	1	

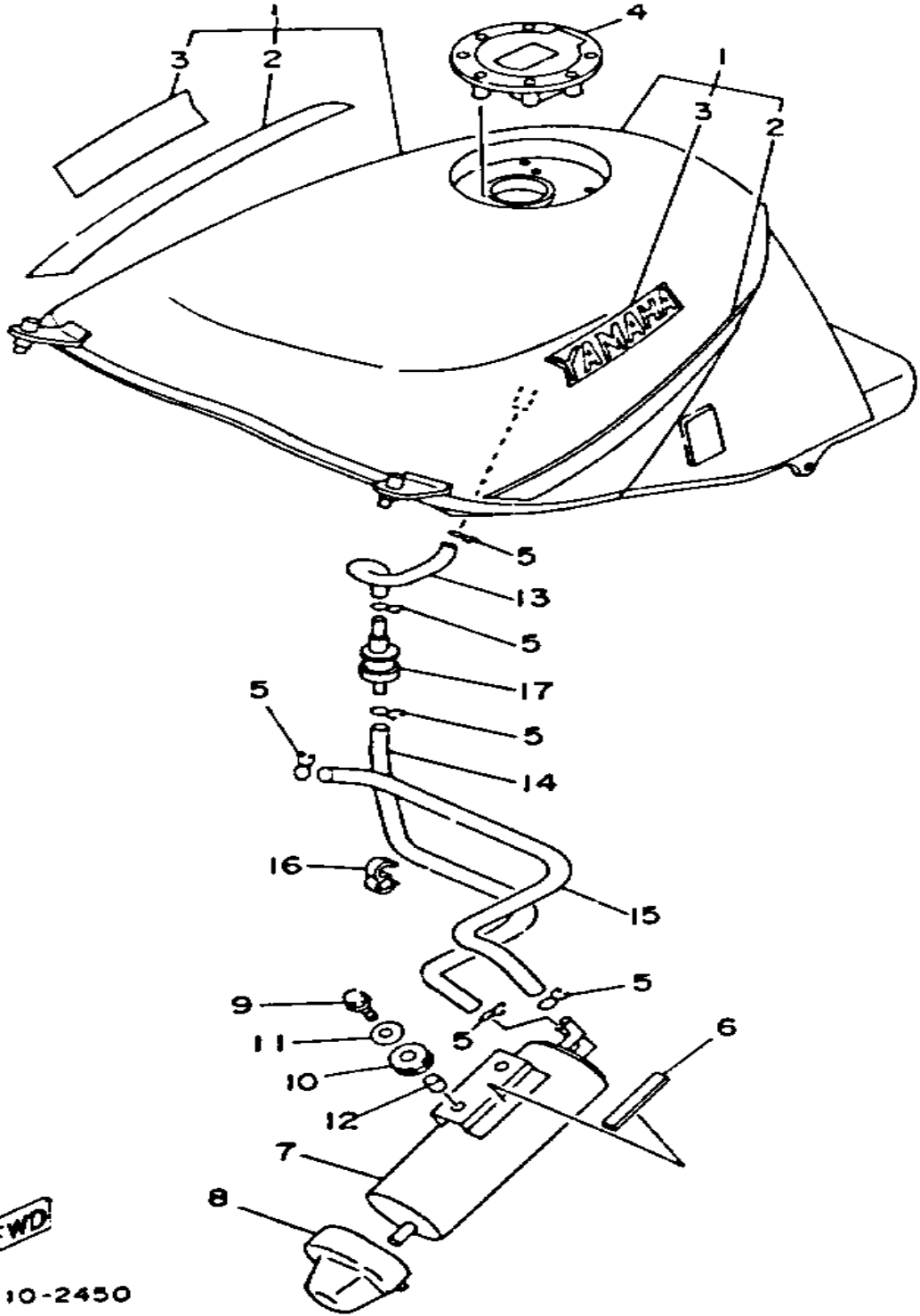
CONTINUED ON NEXT FRAME ►

# FUEL TANK



Ref. No.	Part Number	Description	Qty	Remarks
29	90501-085G0-00	SPRING, COMPRESSION .....	1	
30	3VD-24327-00-00	PROTECTOR, PIPE .....	1	
31	90467-10135-00	CLIP .....	2	
32	1JK-24602-13-00	CAP ASSEMBLY .....	1	
33	90110-05112-00	BOLT, HEXAGON SOCKET HEAD .....	3	
34	91311-05010-00	BOLT, SOCKET HEAD .....	1	
35	90445-105G5-00	HOSE .....	1	
36	90467-09006-00	CLIP .....	1	
37	3VD-2411H-00-00	HOOK, SIDE COVER 2 .....	2	
38	1HX-24188-01-00	MOLD, FUEL TANK .....	1	
39	51L-28371-00-00	DAMPER .....	3	
40	J44-78248-00-00	SEAL 4 .....	2	
41	3LD-13910-00-00	FUEL PUMP ASSEMBLY .....	1	
42	95706-05500-00	NUT, FLANGE .....	2	
43	3VD-13929-00-00	PIPE, IMPULSE .....	1	
44	90467-08017-00	CLIP .....	1	
45	90467-08021-00	CLIP .....	1	
46	3VD-14294-00-00	HOSE .....	1	
47	90467-11106-00	CLIP .....	1	
48	90467-10135-00	CLIP .....	1	
49	90445-11153-00	HOSE .....	1	
50	4X7-2149Y-00-00	FILTER ASSEMBLY .....	1	
51	90445-112E1-00	HOSE .....	1	
52	90467-11102-00	CLIP, SCISSOR .....	1	
53	90467-10008-00	CLIP .....	2	

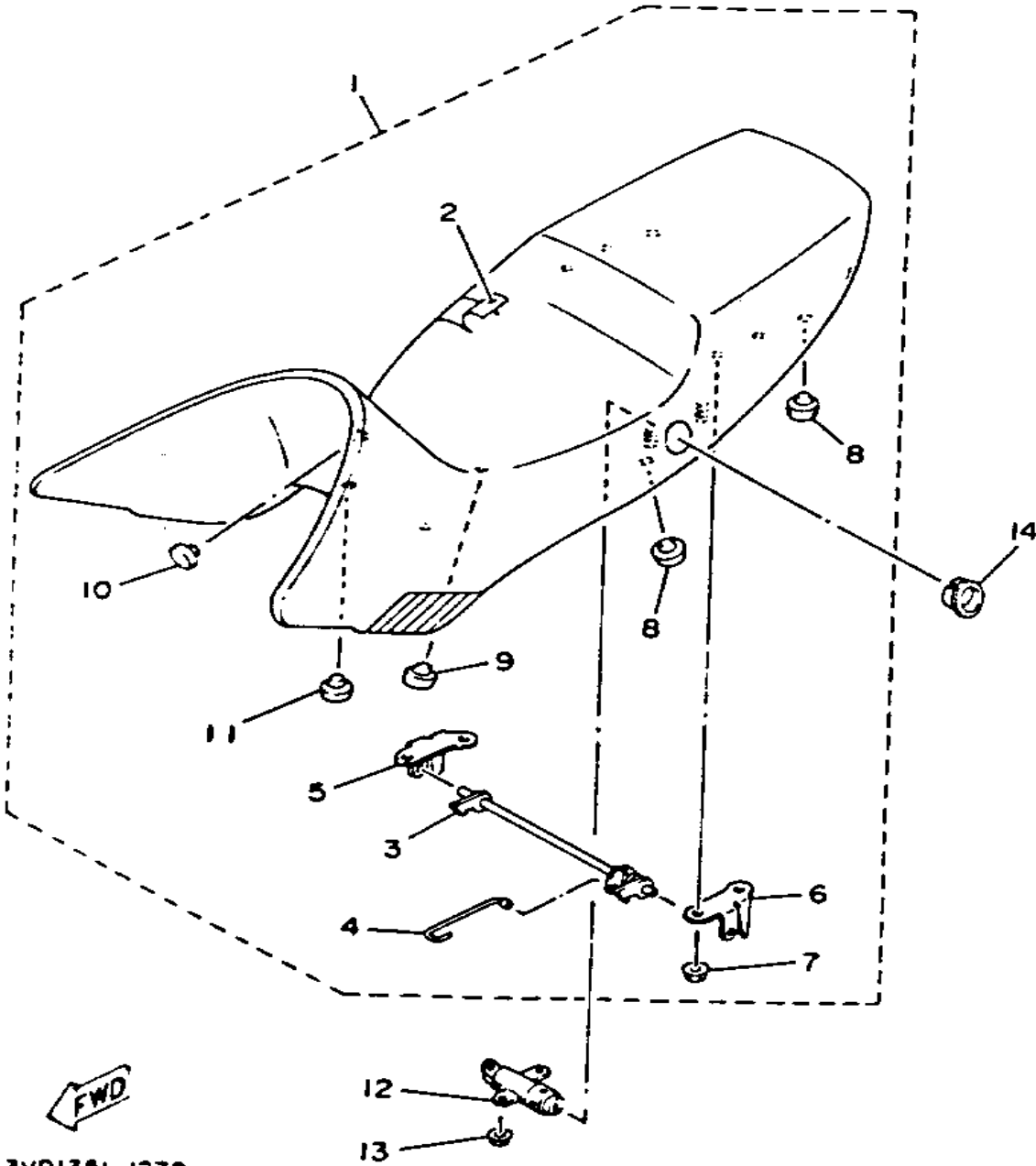
# FUEL TANK (CALIFORNIA ONLY)



Ref. No.	Part Number	Description	Qty	Remarks
1	3VD-24110-10-02	FUEL TANK .....	1	VIVID RED COCKTAIL 1
2	3VD-24240-10-00	. GRAPHIC SET .....	1	
3	99226-00030-00	. EMBLEM, YAMAHA .....	2	
4	1LJ-24602-03-00	CAP ASSEMBLY .....	1	
5	90467-10008-00	CLIP .....	6	
6	J44-78248-00-00	SEAL 4 .....	1	
7	4DT-24170-00-00	CANISTER ASSEMBLY .....	1	
8	(2JU-2419E-00-00)	COVER, CANISTER .....	1	
9	95811-06020-00	BOLT, FLANGE .....	2	
10	90480-12529-00	GROMMET .....	2	
11	90201-063J2-00	WASHER, PLATE .....	2	
12	90387-060G7-00	COLLAR .....	2	
13	4DT-24318-00-00	PIPE, OVERFLOW .....	1	
14	4DT-24311-00-00	PIPE, FUEL 1 .....	1	
15	4DT-24313-00-00	PIPE 3 .....	1	
16	90464-10075-00	CLAMP .....	1	
17	25H-24180-00-00	ROLL OVER VALVE ASSEMBLY .....	1	

4DT1110-2450

# SEAT

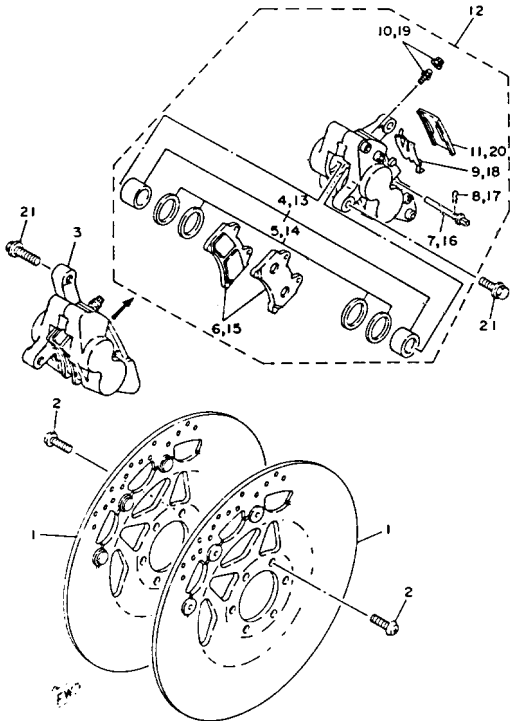


3VD1351-1270

Ref. No.	Part Number	Description	Qty	Remarks
1	3VD-24730-00-00	DOUBLE SEAT ASSEMBLY ...	1	
2	3VD-2470F-00-00	. COVER, SEAT .....	1	
3	3VD-24776-00-00	. LEVER, SEAT .....	1	
4	1JK-2478F-00-00	. ROD, CONNECTING .....	1	
5	3VD-24728-00-00	. BRACKET, SEAT .....	1	
6	3VD-24718-00-00	. BRACKET, SEAT .....	1	
7	95701-06500-00	. NUT, FLANGE .....	4	
8	1T4-24741-00-00	. PAD, SEAT .....	4	
9	1L9-24741-00-00	. PAD, SEAT .....	1	
10	116-24741-00-00	. PAD, SEAT .....	1	
11	22W-24741-00-00	. PAD, SEAT .....	2	
12	51X-24705-00-00	SEAT LOCK ASSEMBLY .....	1	
13	95701-05500-00	NUT, FLANGE .....	2	
14	1AE-24796-00-00	COVER .....	1	

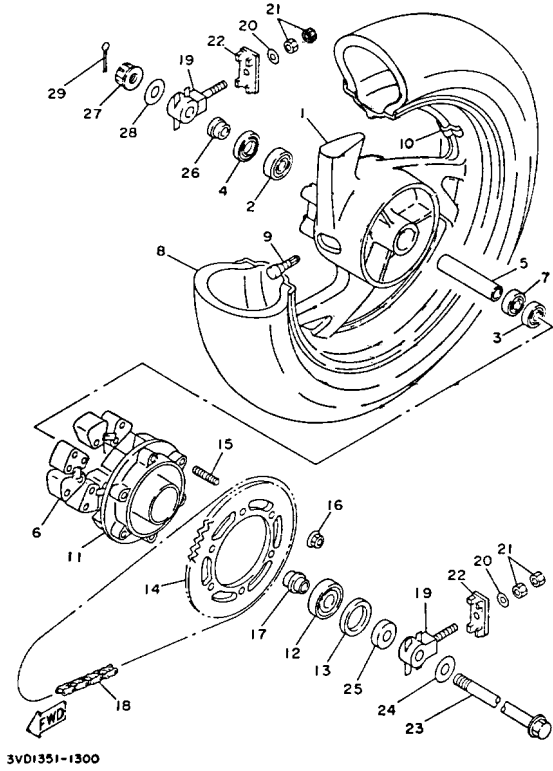


# FRONT BRAKE CALIPER



Ref. No.	Part Number	Description	Qty	Remarks
1	3HE-2581T-00-00	DISC BRAKE ASSEMBLY	2	
2	90109-08718-00	BOLT	12	
3	3XW-2580T-00-00	CALIPER ASSEMBLY LEFT (LEFT)	1	
4	1NL-W0057-00-00	. PISTON ASSEMBLY, CALIPER	2	
5	1NL-W0047-00-00	. . CALIPER SEAL KIT	1	
6	2GH-W0045-01-00	. BRAKE PAD KIT, FRNT	1	
7	3HE-25924-00-00	. PIN, PAD	2	
8	3GM-25925-00-00	. CLIP	2	
9	2GH-25919-00-00	. SUPPORT, PAD	1	
10	1J3-W0048-00-00	. BLEED SCREW KIT	1	
11	1KT-25836-00-00	. COVER, DUST	1	
12	3XW-2580U-00-00	CALIPER ASSEMBLY RIGHT (RIGHT)	1	
13	1NL-W0057-00-00	. PISTON ASSEMBLY, CALIPER	2	
14	1NL-W0047-00-00	. . CALIPER SEAL KIT	1	
15	2GH-W0045-01-00	. BRAKE PAD KIT, FRNT	1	
16	3HE-25924-00-00	. PIN, PAD	2	
17	3GM-25925-00-00	. CLIP	2	
18	2GH-25919-00-00	. SUPPORT, PAD	1	
19	1J3-W0048-00-00	. BLEED SCREW KIT	1	
20	1KT-25836-00-00	. COVER, DUST	1	
21	90105-10638-00	BOLT, WASHER BASED	4	

# REAR WHEEL

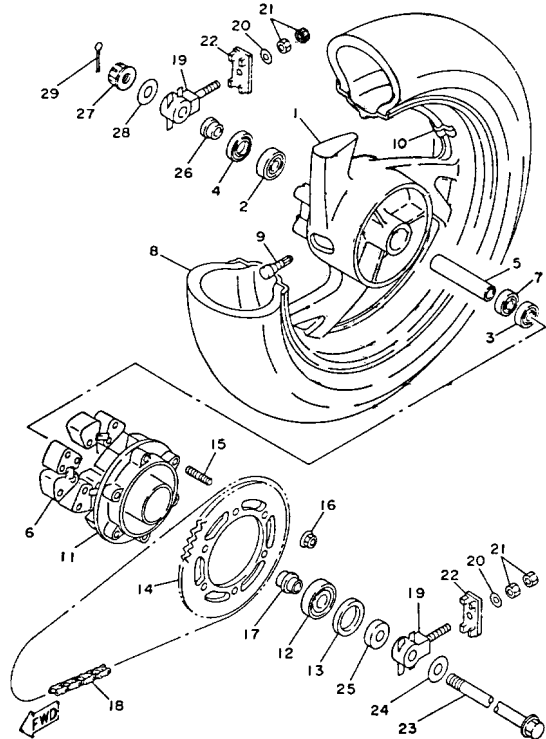


3VD1351-1300

Ref. No.	Part Number	Description	Qty	Remarks
1	3VD-25338-00-WN	WHEEL, CAST REAR	1	CIRCUIT SILVER
2	93306-30309-00	BEARING	1	
3	93306-20310-00	BEARING	1	
4	93102-25044-00	OIL SEAL	1	
5	90387-173M5-00	COLLAR	1	
6	4BP-25364-00-00	DAMPER	3	
7	93306-20310-00	BEARING	1	
8	94115-176X8-00	150/70-17 K505 DL (150/70-17 69H K505)	1	DUNLOP
9	93900-00030-00	VALVE, RIM	1	
10	29L-25398-00-00	BALANCER, WHEEL (10G)	1	UR
	29L-25398-10-00	BALANCER, WHEEL (20G)	1	UR
	29L-25398-20-00	BALANCER, WHEEL (30G)	1	UR
11	1UF-25366-00-00	CLUTCH, HUB	1	
12	93306-37207-00	BEARING	1	
13	93105-42024-00	OIL SEAL	1	
14	3VD-25444-20-00	SPROCKET, DRIVN 44T (44T)	1	
15	90116-10485-00	BOLT, STUD	6	
16	95601-10200-00	NUT, SELF-LOCKING	6	
17	90387-177K0-00	COLLAR	1	
18	94581-46114-00	CHAIN (D.I.D. 525HV-114LE)	1	
19	4BP-25388-00-00	PULLER, CHAIN 1	2	
20	92990-08200-00	WASHER, PLAIN	2	
21	95333-08600-00	NUT	4	
22	3HE-22174-00-00	END 1	2	
23	1AE-25381-00-00	AXLE, WHEEL	1	
24	90201-177K7-00	WASHER, PLATE	1	
25	90387-177Y5-00	COLLAR	1	
26	90387-177Y4-00	COLLAR	1	

CONTINUED ON NEXT FRAME ►

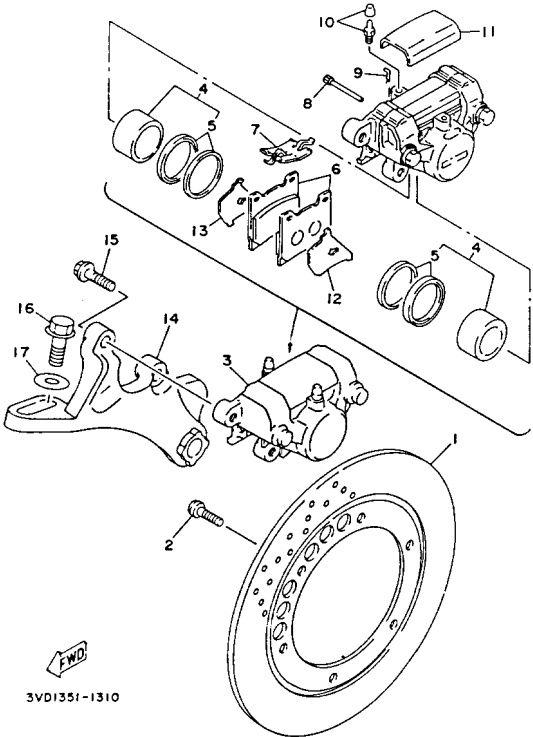
# REAR WHEEL



3VD1351-1300

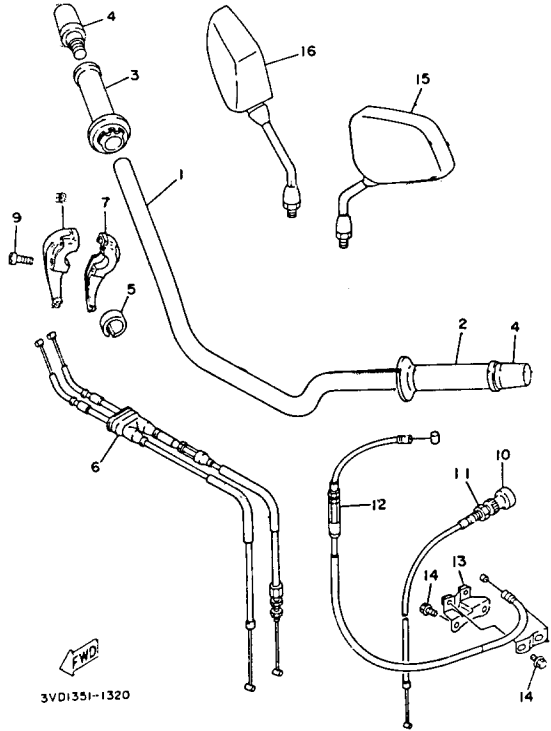
Ref. No.	Part Number	Description	Qty	Remarks
27	90171-16024-00	NUT, CASTLE .....	1	
28	90201-165L8-00	WASHER, PLATE .....	1	
29	91401-30030-00	PIN, COTTER .....	1	

# REAR BRAKE CALIPER



Ref. No.	Part Number	Description	Qty	Remarks
1	3VD-2582W-00-00	DISC, REAR BRAKE .....	1	
2	90109-08718-00	BOLT .....	6	
3	3HE-2580W-00-00	CALIPER ASSEMBLY, REAR 2	1	
4	31A-W0057-00-00	. PISTON ASSEMBLY, CALIPER	1	
5	31A-W0047-00-00	. . CALIPER SEAL KIT .....	1	
6	1FK-W0046-01-00	. BRAKE PAD KIT 2 .....	1	
7	1WG-25919-00-00	. SUPPORT, PAD .....	1	
8	3HE-25924-00-00	. PIN, PAD .....	2	
9	3HE-25925-00-00	. CLIP .....	2	
10	1J3-W0048-00-00	. BLEED SCREW KIT .....	2	
11	51J-25836-00-00	. COVER, DUST .....	1	
12	1FK-25827-00-00	. SHIM, CALIPER .....	1	
13	1FK-25828-00-00	. SHIM, CALIPER .....	1	
14	3VD-25819-00-00	BRACKET, CALIPER .....	1	
15	90105-10638-00	BOLT, WASHER BASED .....	2	
16	95811-10030-00	BOLT, FLANGE .....	1	
17	90201-10437-00	WASHER, PLATE .....	1	

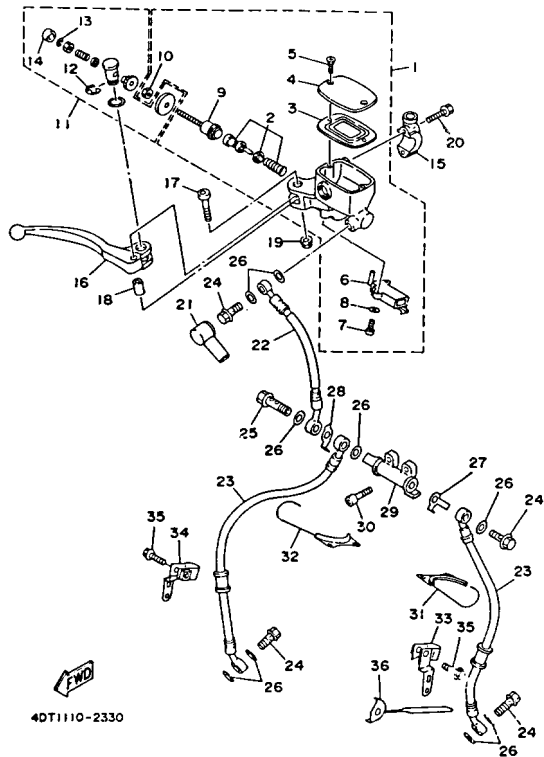
# HANDLEBAR - CABLE



3VD1351-1320

Ref. No.	Part Number	Description	Qty	Remarks
1	3VD-26111-00-00	HANDLEBAR .....	1	
2	1KG-26241-00-00	GRIP (LEFT) .....	1	
3	3FH-26240-00-00	GRIP ASSEMBLY .....	1	
4	51J-26246-00-00	END, GRIP .....	2	
5	90387-22660-00	COLLAR .....	1	
6	3VD-26302-00-00	THROTTLE CABLE ASSEMBLY	1	
7	3XW-26281-01-00	CAP, GRIP UPPER .....	1	
8	3XW-26282-01-00	CAP, GRIP LOWER .....	1	
9	98506-05035-00	SCREW, PAN HEAD .....	2	
10	3VD-26331-00-00	CABLE, STARTER 1 .....	1	
11	1VJ-26333-00-00	NUT .....	1	
12	3VD-26335-00-00	CABLE, CLUTCH .....	1	
13	3VD-26292-00-00	STAY .....	1	
14	95816-06012-00	BOLT, FLANGE .....	4	
15	3VD-26280-01-00	MIRROR ASSEMBLY (LEFT) ..	1	
16	3VD-26290-01-00	MIRROR ASSEMBLY (RIGHT) .	1	

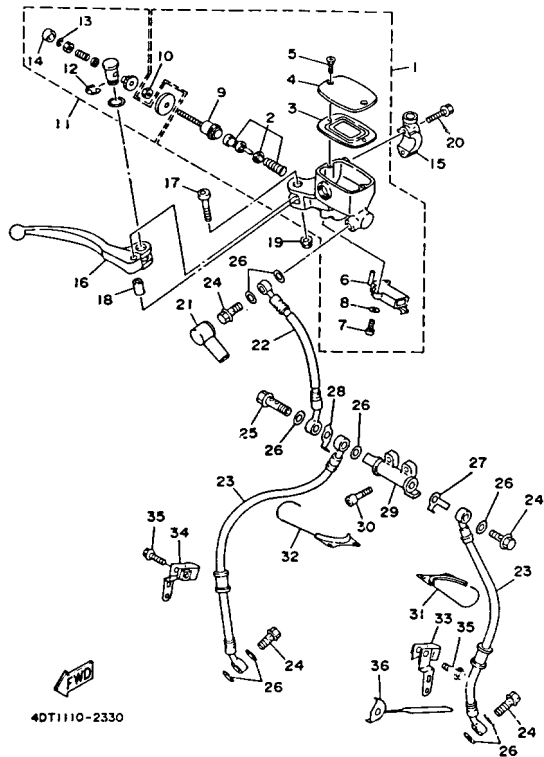
# FRONT MASTER CYLINDER



Ref. No.	Part Number	Description	Qty	Remarks
1	3VD-W2587-00-00	MASTER CYLINDER.SUB.ASSEMBLY SUB ASSEMBLY	1	
2	3VD-W0041-50-00	. CYLINDER KIT, MASTER	1	
3	3YX-25854-00-00	. DIAPHRAGM, RESERVOIR	1	
4	3YX-25852-00-00	. CAP, RESERVOIR	1	
5	98701-04012-00	. SCREW, FLAT HEAD	2	
6	3YX-83980-01-00	. STOP SWITCH ASSEMBLY ASSY	1	
7	98506-04012-00	. SCREW, PAN HEAD	2	
8	92906-04600-00	. WASHER, PLATE	2	
9	3YX-25880-00-00	. PUSH ROD COMP.	1	
10	95380-06600-00	. NUT	1	
11	3YX-W0091-01-00	SCREW KIT, MAST.CYLMASTER CYLINDER	1	
12	3YX-25866-00-00	. CIRCLIP	1	
13	3YX-25866-10-00	. CIRCLIP	1	
14	3YX-2583H-00-00	. BOOT	1	
15	3YX-25867-00-00	BRACKET, MASTER CYLINDER	1	
16	3YX-83922-09-00	LEVER 2	1	
17	3YX-2589F-00-00	BOLT, LEVER	1	
18	3YX-25838-00-00	SLEEVE, CALIPER	1	
19	95616-06100-00	NUT, U	1	
20	95026-06030-00	BOLT, FLANGE	2	
21	4L0-25862-00-00	BOOT, MASTER CYLINDER	1	
22	3VD-25872-00-00	HOSE, BRAKE 1	1	
23	3VD-25874-00-00	HOSE, BRAKE	2	
24	90401-10096-00	BOLT, UNION	4	
25	90401-10095-00	BOLT, UNION	1	
26	90201-10118-00	WASHER, PLATE	9	

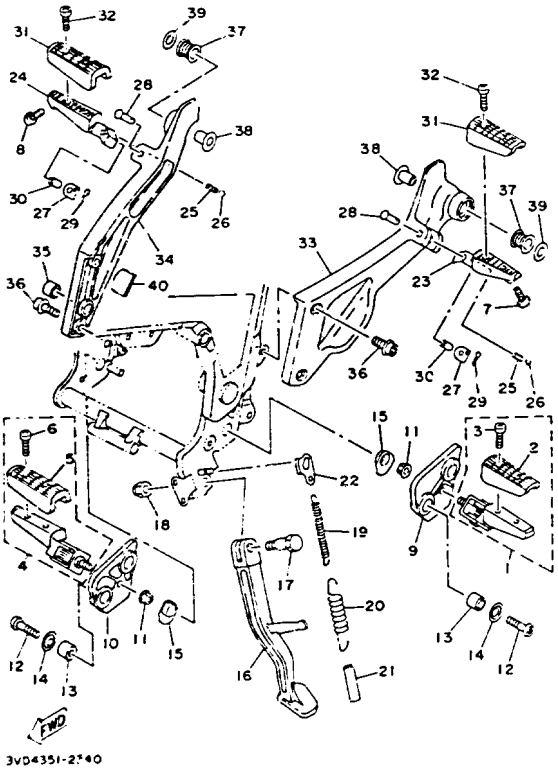
CONTINUED ON NEXT FRAME ►

# FRONT MASTER CYLINDER



Ref. No.	Part Number	Description	Qty	Remarks
27	3VD-25834-01-00	WASHER, LOCK .....	1	
28	3VD-25844-00-00	WASHER, LOCK .....	1	
29	42H-25885-01-00	JOINT .....	1	
30	91316-06025-00	BOLT .....	2	
31	3VD-26131-00-00	GUIDE, CABLE 1 .....	1	
32	3VD-26132-00-00	GUIDE, CABLE 2 .....	1	
33	3VD-25876-00-00	HOLDER, BRKE HOSE 2 .....	1	
34	3VD-25886-00-00	HOLDER, BRAKE HOSE .....	1	
35	95023-06025-00	BOLT, FLANGE .....	2	
36	3VD-23317-00-00	HOLDER, CABLE .....	1	

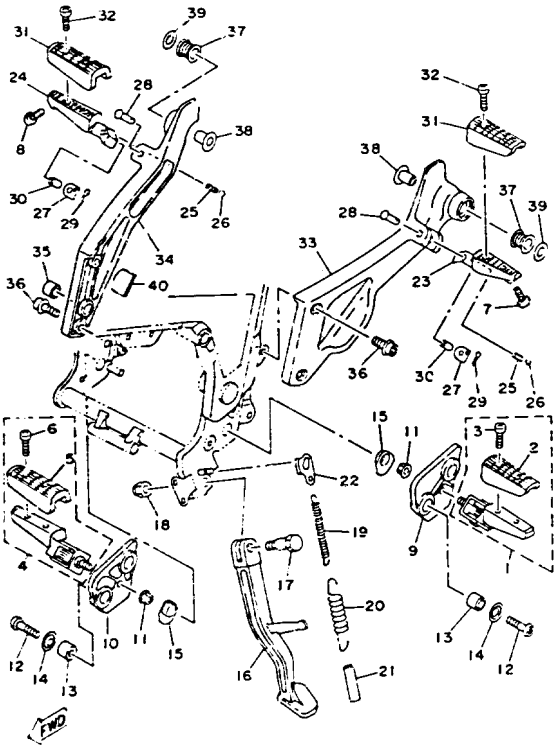
# STAND - FOOTREST



Ref. No.	Part Number	Description	Qty	Remarks
1	1UA-27410-00-00	FRT FOOTREST ASSEMBLY L (LEFT)	1	
2	2GH-27413-00-00	. COVER, FOOTREST	1	
3	90157-05079-00	. SCREW, PAN HEAD	2	
4	1UA-27420-00-00	FRT FOOTREST ASSEMBLY R (RIGHT)	1	
5	2GH-27413-00-00	. COVER, FOOTREST	1	
6	90157-05079-00	. SCREW, PAN HEAD	2	
7	90109-083E2-00	BOLT	1	
8	90109-083E2-00	BOLT	1	
9	3VD-27442-00-00	BRACKET 2	1	
10	3VD-27443-00-00	BRACKET 3	1	
11	90179-10247-00	NUT	2	
12	90110-08071-00	BOLT, HEXAGON SOCKET HEAD	4	
13	1NL-27424-00-00	DAMPER, FOOTREST 2	4	
14	90209-08295-00	WASHER	4	
15	3VD-27414-00-00	DAMPER, FOOTREST	2	
16	3VD-27311-01-00	STAND, SIDE	1	
17	90109-104E6-00	BOLT	1	
18	90185-10037-00	NUT, SELF-LOCKING	1	
19	90506-18224-00	SPRING, TENSION	1	
20	90506-26225-00	SPRING, TENSION	1	
21	1TX-27351-00-00	GUIDE, SIDE STAND	1	
22	3VD-27315-00-00	LINK, SIDE STAND	1	
23	2GH-27431-00-00	FOOTREST, REAR 1	1	
24	2GH-27441-00-00	FOOTREST, REAR 2	1	
25	90501-12743-00	SPRING, COMPRESSION	2	
26	93501-04011-00	BALL	2	
27	1HX-27437-00-00	WASHER, SPECIAL	2	

CONTINUED ON NEXT FRAME ►

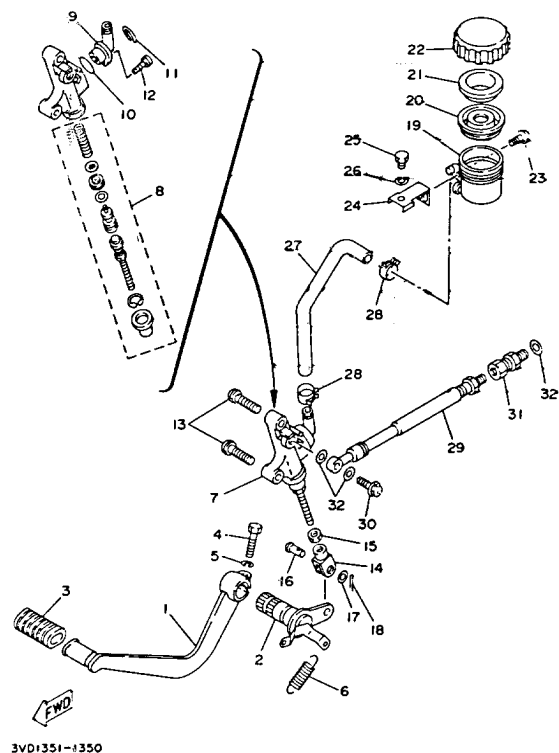
# STAND - FOOTREST



3VD4351-2\*40

Ref. No.	Part Number	Description	Qty	Remarks
28	91701-06040-00	PIN, CLEVIS .....	2	
29	91490-20020-00	PIN, COTTER .....	2	
30	90387-064H8-00	COLLAR .....	2	
31	2GH-27413-00-00	COVER, FOOTREST .....	2	
32	90157-05079-00	SCREW, PAN HEAD .....	4	
33	3VD-27412-00-00	BRACKET, FOOTREST 1 .....	1	
34	3VD-27422-00-00	BRACKET, FOOTREST 2 .....	1	
35	90380-20213-00	BUSH, SOLID .....	1	
36	90110-08199-00	BOLT, HEXAGON SOCKET HEAD .....	4	
37	36Y-27424-00-00	DAMPER, FOOTREST 2 .....	2	
38	90387-104L8-00	COLLAR .....	2	
39	90201-10669-00	WASHER, PLATE .....	2	
40	3VD-2139X-00-00	DAMPER .....	1	

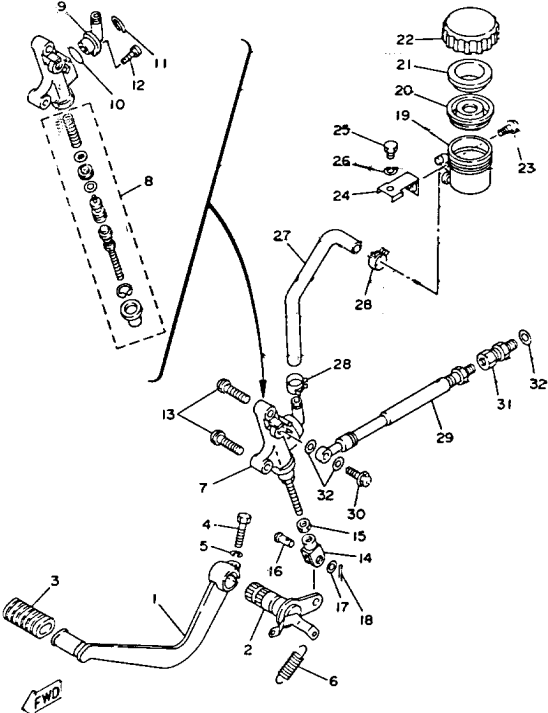
# REAR MASTER CYLINDER



Ref. No.	Part Number	Description	Qty	Remarks
1	3VD-27211-00-00	PEDAL, BRAKE	1	
2	3VD-27212-00-00	SHAFT, BRAKE PEDAL	1	
3	3VD-18113-00-00	COVER, SHIFT PEDAL	1	
4	90101-06278-00	BOLT	1	
5	92995-06100-00	WASHER, SPRING	1	
6	90506-20192-00	SPRING, TENSION	1	
7	3VD-2583V-00-00	RR MSTR CYLINDERASSEMBLY.	1	
8	3VD-W0042-50-00	. CYLINDER KIT, MASTER	1	
9	3LN-2582A-00-00	. JOINT	1	
10	3LN-2585F-00-00	. O-RING	1	
11	3LN-2585G-00-00	. CIRCLIP	1	
12	3LN-2585H-00-00	. SCREW, SET	1	
13	92016-08030-00	SCREW	2	
14	47X-27222-00-00	JOINT	1	
15	95303-08700-00	NUT	1	
16	90240-08013-00	PIN, CLEVIS	1	
17	90201-08083-00	WASHER, PLATE	1	
18	91490-20020-00	PIN, COTTER	1	
19	47X-25894-00-00	TANK, RESERVOIR	1	
20	360-25854-00-00	DIAPHRAGM, RESERVOIR	1	
21	2GU-25855-00-00	BUSH, DIAPHRAGM	1	
22	2KF-25852-50-00	CAP, RESERVOIR	1	
23	90159-06056-00	SCREW, WITH WASHER	1	
24	3VD-2582E-00-00	HOLDER, RESERVE TAN	1	
25	97011-06010-00	BOLT	1	
26	92901-06700-00	WASHER, WAVE (92902-06700)	1	
27	3VD-25895-00-00	HOSE, RESERVOIR	1	
28	90467-14057-00	CLIP	2	

CONTINUED ON NEXT FRAME ►

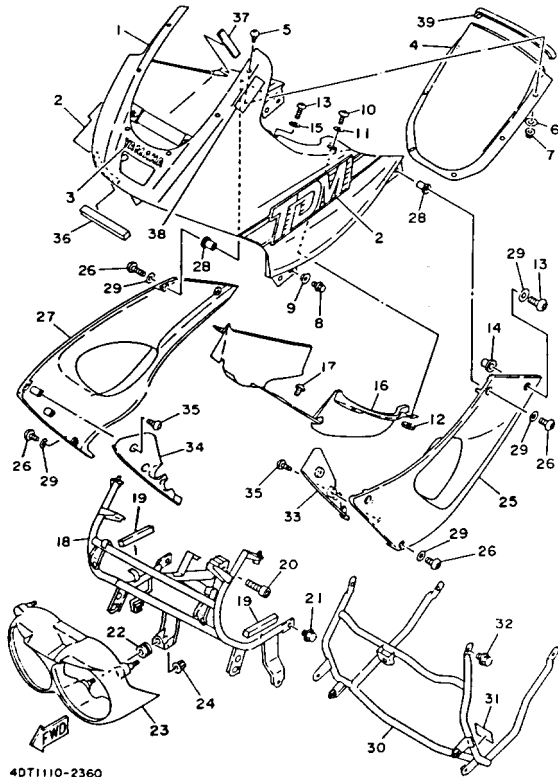
# REAR MASTER CYLINDER



3VD1351-1350

Ref. No.	Part Number	Description	Qty	Remarks
29	3VD-25872-50-00	HOSE, BRAKE 1	1	
30	90401-10096-00	BOLT, UNION	1	
31	3LC-25885-00-00	JOINT	1	
32	90201-10118-00	WASHER, PLATE	3	

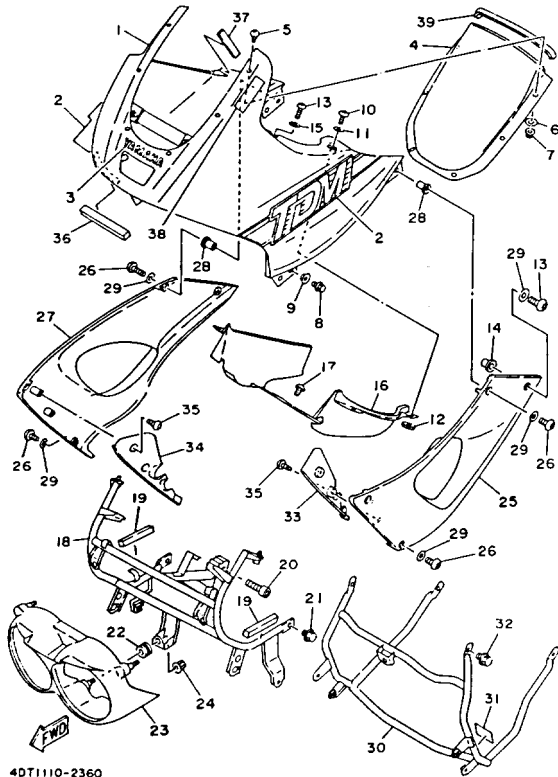
# COWLING 1



Ref. No.	Part Number	Description	Qty	Remarks
1	3VD-28350-00-P0	COWLING ASSEMBLY .....	1	VIVID RED COCKTAIL 1
2	3VD-28390-11-00	GRPHC SET, COWLING .....	1	
3	99236-00025-00	EMBLEM, YAMAHA .....	1	
4	4DT-28381-00-00	WINDSHIELD .....	1	
5	90149-05273-00	SCREW .....	6	
6	3HX-28215-00-00	WASHER, SPECIAL .....	6	
7	95706-05500-00	NUT, FLANGE .....	6	
8	95811-06012-00	BOLT, FLANGE .....	4	
9	90387-072Y3-00	COLLAR .....	4	
10	90110-05201-00	BOLT, HEXAGON SOCKET HEAD .....	2	
11	90202-05180-00	WASHER, PLATE .....	2	
12	90202-08111-00	WASHER, PLATE .....	2	
13	90149-05244-00	SCREW (2GH) .....	4	
14	90179-05525-00	NUT .....	2	
15	90201-05660-00	WASHER, PLATE .....	2	
16	3VD-2837M-00-00	PANEL, CONSOLE 2 .....	1	
17	90110-05201-00	BOLT, HEXAGON SOCKET HEAD .....	1	
18	3VD-28356-00-00	STAY 1 .....	1	
19	2TV-21638-00-00	DAMPER 1 .....	2	
20	91316-08035-00	BOLT, SOCKET HEAD .....	2	
21	95811-08012-00	BOLT, FLANGE .....	2	
22	90480-14229-00	GROMMET .....	3	
23	3VD-28365-00-00	COVER .....	1	
24	90179-06500-00	NUT .....	3	
25	3VD-2835U-00-P0	PANEL 1 .....	1	VIVID RED COCKTAIL 1
26	90149-05299-00	SCREW .....	6	

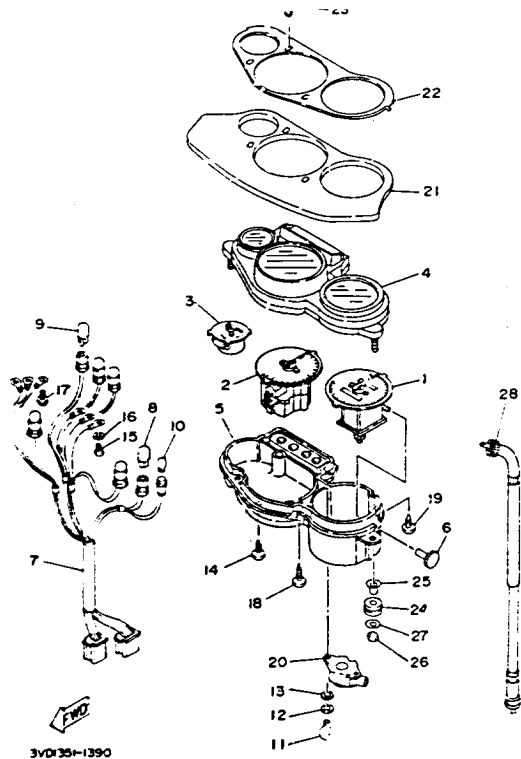
CONTINUED ON NEXT FRAME ►

# COWLING 1



4DT1110-2360

Ref. No.	Part Number	Description	Qty	Remarks
27	3VD-2835V-00-P0	PANEL 2 .....	1	VIVID RED COCKTAIL 1
28	90179-05523-00	NUT .....	6	
29	90202-05180-00	WASHER, PLATE .....	8	
30	3VD-28322-00-00	STAY, LEG SHIELD R .....	1	UR NON-CA.
	4DT-28322-00-00	STAY, LEG SHIELD R .....	1	UR CA. ONLY
31	5H0-8235Y-M0-00	DAMPER, LOCATING 5 (2GH-24185-00-00) .....	2	
32	95811-08012-00	BOLT, FLANGE .....	4	
33	3VD-2837N-00-00	GRILL, AIR INTAKE 1 .....	1	
34	3VD-2837R-00-00	GRILL, AIR INTAKE 2 .....	1	
35	97701-50012-00	SCREW, TAPPING .....	4	
36	3VD-28371-00-00	DAMPER .....	2	
37	2TV-21638-00-00	DAMPER 1 .....	2	
38	3JJ-2835Y-00-00	LABEL, CAUTION .....	1	
39	36Y-28346-00-00	MOLD 2 .....	1	

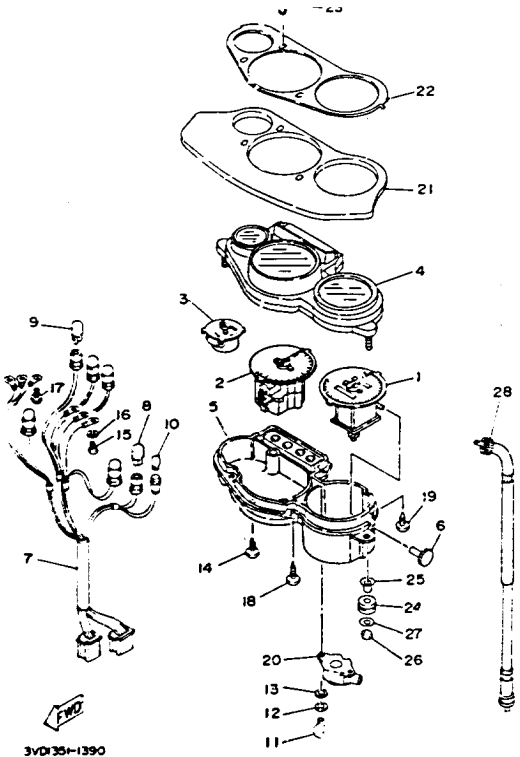


# METER

Ref. No.	Part Number	Description	Qty	Remarks
1	4DT-83570-00-00	SPEEDOMETER ASSEMBLY ..	1	
2	3VD-83540-00-00	TACHOMETER ASSEMBLY ...	1	
3	3GM-83590-00-00	WATER TEMP METERASSEMBLY .....	1	
4	3VD-83559-00-00	COVER, METER (3GM-83559-00-00) .....	1	
5	4DT-8353H-00-00	CASE, INNER .....	1	
6	2GH-83578-00-00	KNOB, TRIP METER .....	1	
7	3VD-83509-00-00	SOCKET CORD ASSEMBLY ..	1	
8	4G1-84744-00-00	BULB, MTR.12V3.4W .....	3	
9	4G1-84744-00-00	BULB, MTR.12V3.4W .....	3	
10	42X-83517-00-00	BULB (12V-3W) .....	1	
11	98580-04010-00	SCREW, PAN HEAD .....	4	
12	92901-04100-00	WASHER, SPRING .....	4	
13	92901-04600-00	WASHER, PLATE .....	4	
14	90167-04057-00	SCREW, TAPPING .....	2	
15	98580-03010-00	SCREW, PAN HEAD (98502-03010) .....	3	
16	92990-03100-00	WASHER, SPRING (92901-03100) .....	3	
17	90159-03102-00	SCREW, WITH WASHER .....	3	
18	90164-04008-00	SCREW, TAPPING .....	4	
19	90167-03058-00	SCREW, TAPPING .....	1	
20	3GM-83520-00-00	SOCKET CORD ASSEMBLY ..	1	
21	3VD-83513-00-00	DAMPER .....	1	
22	3VD-83611-00-00	PANEL, METER .....	1	
23	3GM-83525-00-00	CLIP .....	3	
24	90480-14229-00	GROMMET .....	2	
25	90387-07391-00	COLLAR .....	2	
26	95316-06600-00	NUT .....	2	

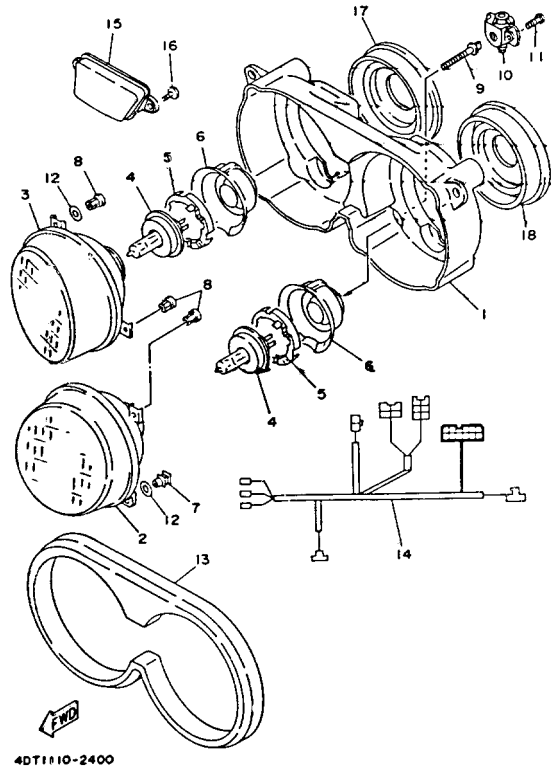
CONTINUED ON NEXT FRAME ►

# METER



Ref. No.	Part Number	Description	Qty	Remarks
27	90201-06059-00	WASHER, PLATE .....	2	
28	1FK-83550-10-00	SPEEDOMETER CABLE ASSEMBLY .....	1	

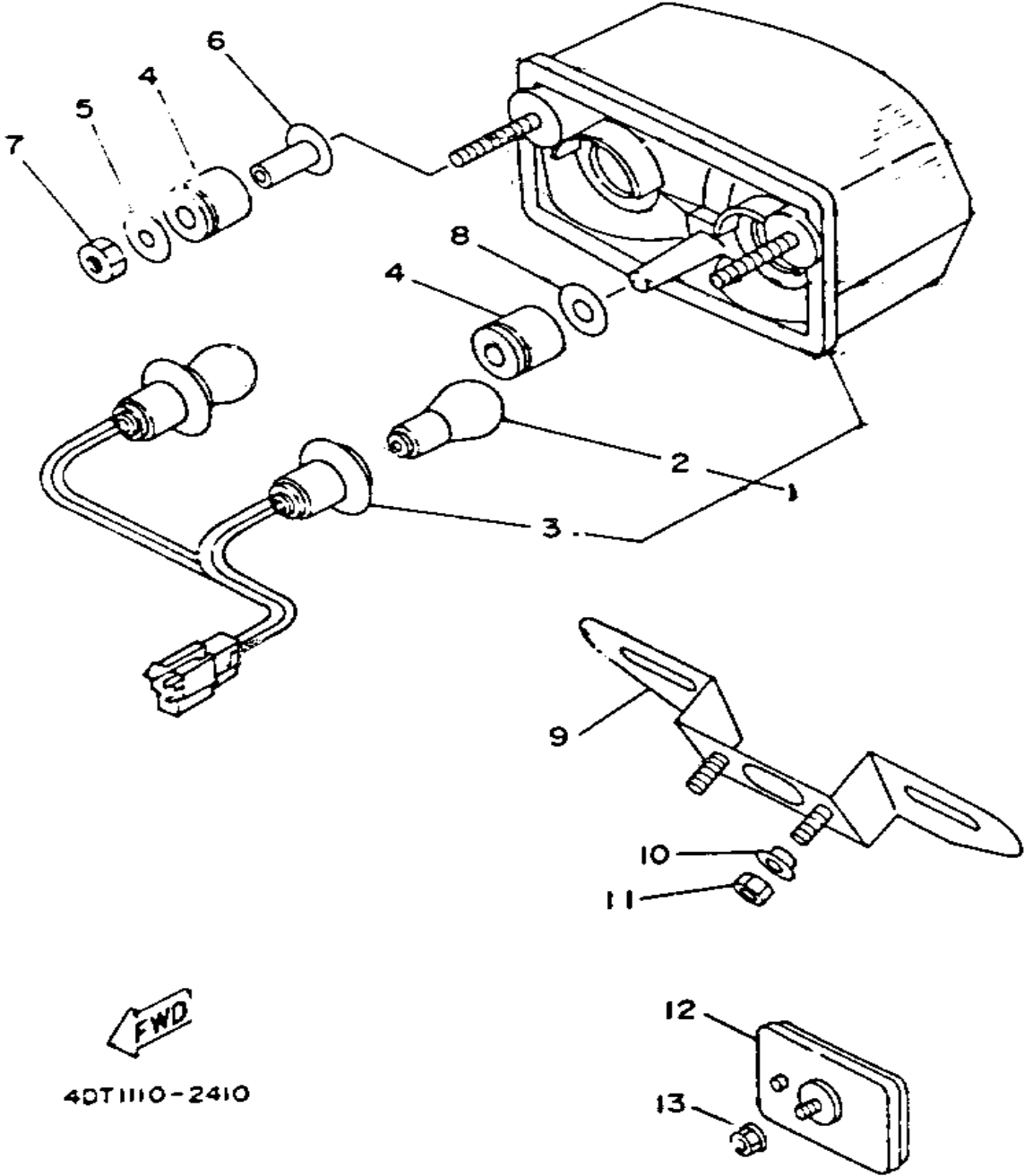
# HEADLIGHT



4DT1110-2400

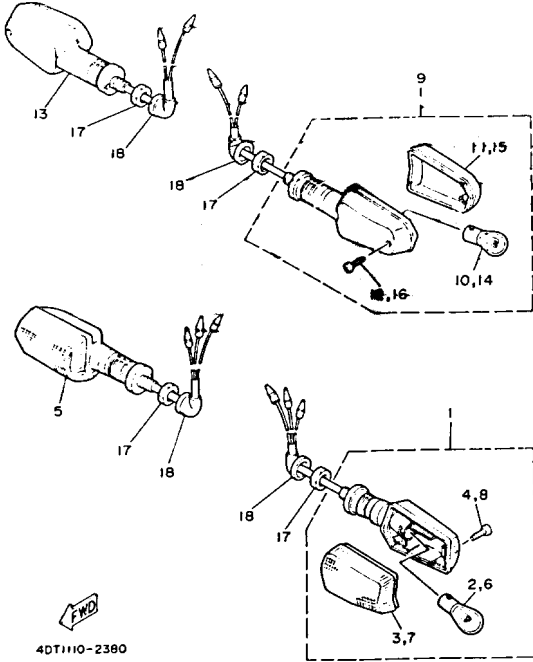
Ref. No.	Part Number	Description	Qty	Remarks
1	3VD-84330-00-00	BODY ASSEMBLY .....	1	
2	3VD-84320-50-00	LENS ASSEMBLY .....	1	
3	3VD-8432A-50-00	LENS ASSEMBLY .....	1	
4	1ML-84314-00-XX	BULB (12V-35/35W) (1FM-84314-H0-00) .....	2	HALOGEN
5	2F9-84375-00-00	SETTING PLATE, BULB .....	2	
6	2F9-84397-01-00	COVER, SOCKET .....	2	
7	3AJ-8431U-00-00	HOLDER .....	2	
8	51L-84334-00-00	NUT, ADJUSTING .....	4	
9	2AX-84331-00-00	SCREW, RIM ADJUSTING ....	2	
10	3MA-8430M-00-00	GEAR UNIT ASSEMBLY .....	2	
11	97706-40616-00	SCREW, TAPPING .....	4	
12	3GM-84344-00-00	WASHER, PLAIN .....	2	
13	3HE-84366-00-00	DAMPER, HEADLIGHT 1 .....	1	
14	4DT-84359-00-00	CORD, HEADLIGHT .....	1	
15	4DT-84378-00-P0	CAP .....	1	VIVID RED COCKTAIL 1
16	90167-05025-00	SCREW, TAPPING .....	2	
17	2LA-84397-00-00	COVER, SOCKET .....	1	
18	2LA-84397-10-00	COVER, SOCKET .....	1	

# TAILLIGHT



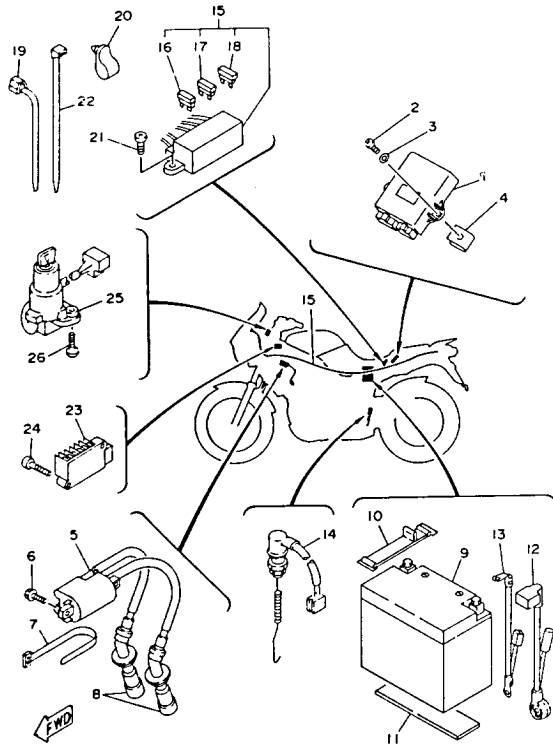
Ref. No.	Part Number	Description	Qty	Remarks
1	3LK-84710-20-00	TAILLIGHT UNIT ASSEMBLY ..	1	
2	31L-84714-00-00	. BULB, TAILLIGHT (12V-21/5W)	2	
3	3LK-8473A-00-00	. CORD ASSEMBLY .....	1	
4	90480-18407-00	GROMMET .....	3	
5	90201-063J2-00	WASHER, PLATE .....	2	
6	90387-062W3-00	COLLAR .....	2	
7	95380-06600-00	NUT .....	2	
8	92906-10200-00	WASHER .....	1	
9	4DT-84751-00-90	BRACKET, LICENSE .....	1	UNICHROME (BLACK CHROMATE)
10	90387-07717-00	COLLAR .....	2	
11	95616-06100-00	NUT, U .....	2	
12	3G1-85130-01-00	REAR REFLECTOR ASSEMBLY	1	
13	95701-05500-00	NUT, FLANGE .....	1	

# TURNSIGNAL



Ref. No.	Part Number	Description	Qty	Remarks
1	1LJ-83310-20-00	FRONT FLASHER LIGHT ASSEMBLY 1	1	
2	256-84714-61-00	. BULB (12V-27/8W)	1	
3	51L-83332-01-00	. LENS, FLASHER	1	
4	97706-40620-00	. SCREW, TAPPING	1	
5	1LJ-83320-20-00	FRONT FLASHER LIGHT ASSEMBLY 2	1	
6	256-84714-61-00	. BULB (12V-27/8W)	1	
7	51L-83342-01-00	. LENS, FLASHER 2	1	
8	97706-40620-00	. SCREW, TAPPING	1	
9	1VW-83320-00-00	FRT FLSHR LITE ASSEMBLY 2	1	
10	256-83311-70-XX	. BULB, TS 12V27W	1	
11	51L-83342-01-00	. LENS, FLASHER 2	1	
12	97706-40620-00	. SCREW, TAPPING	1	
13	1VW-83310-00-00	FRT FLSHR LITE ASSEMBLY 1	1	
14	256-83311-70-XX	. BULB, TS 12V27W	1	
15	51L-83332-01-00	. LENS, FLASHER	1	
16	97706-40620-00	. SCREW, TAPPING	1	
17	95306-12600-00	NUT	4	
18	18G-83365-00-00	CAP	4	

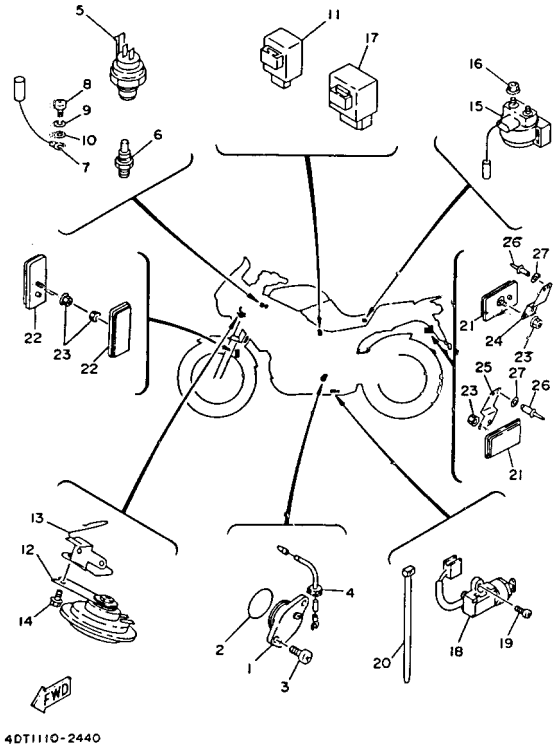
# ELECTRICAL 1



4DT1110-2430

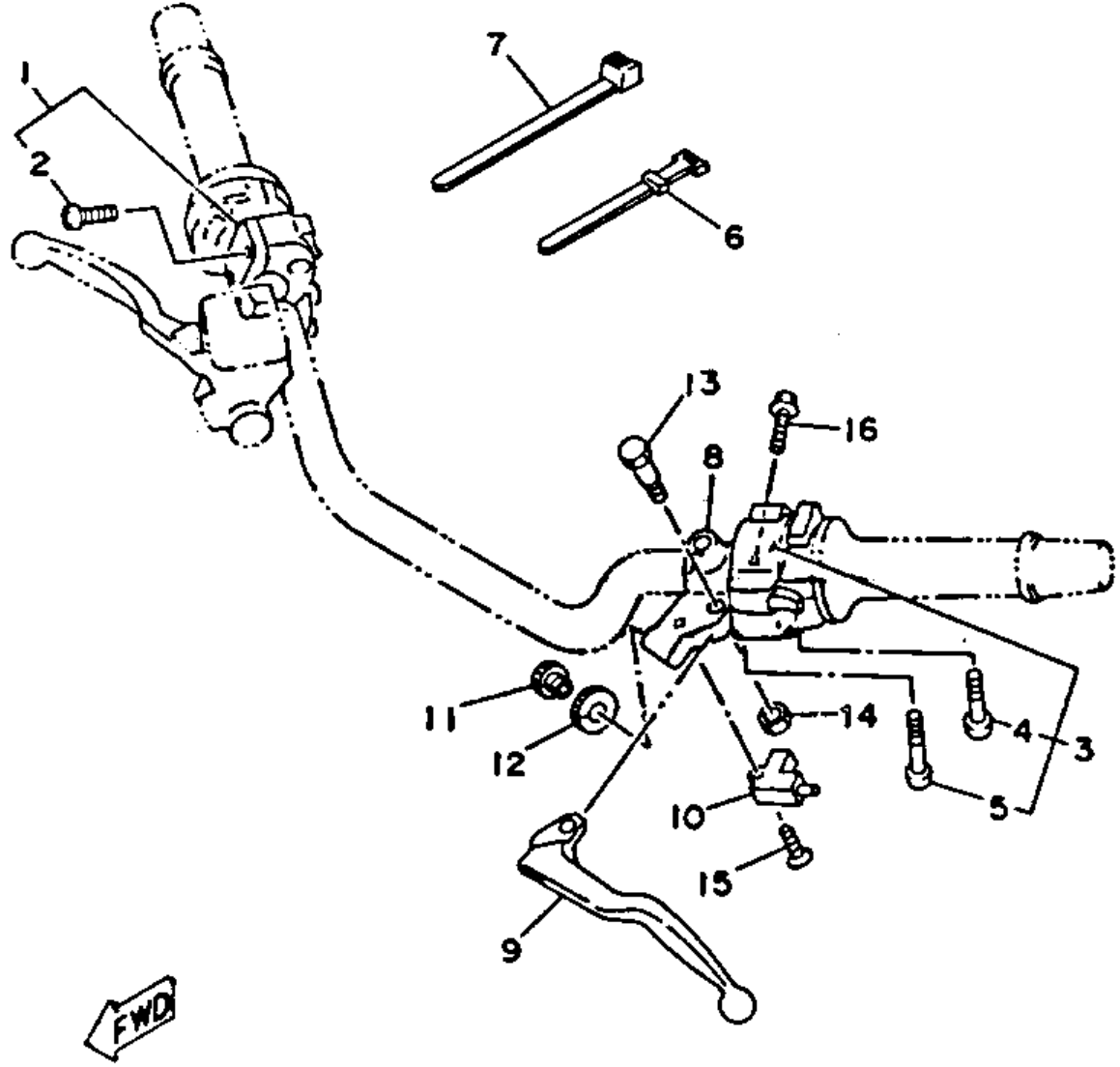
Ref. No.	Part Number	Description	Qty	Remarks
1	3VD-82305-00-00	IGNITOR UNIT ASSEMBLY 1 ..	1	
2	98506-06016-00	SCREW, PANHEAD .....	2	
3	92906-06600-00	WASHER .....	2	
4	90183-06023-00	NUT, SPRING .....	2	
5	3VD-82310-00-00	IGNITION COIL ASSEMBLY ...	1	
6	95811-06020-00	BOLT, FLANGE .....	2	
7	25G-83936-01-00	BAND, SWITCH CORD .....	1	
8	3LD-82370-00-00	PLUG CAP ASSEMBLY .....	2	
9	BTY-YTX12-BS-00	BATTERY ASSEMBLY (YTX12-BS) .....	1	
10	3VD-82131-00-00	BAND, BATTERY .....	1	
11	5X2-24183-00-00	DAMPER, LOCATING 3 .....	1	
12	3VD-82115-00-00	WIRE, PLUS LEAD .....	1	
13	3VD-82116-00-00	WIRE, MINUS LEAD .....	1	
14	3VD-82530-01-00	STOP SWITCH ASSEMBLY ...	1	
15	4DT-82590-00-00	WIRE HARNESS ASSEMBLY ..	1	
16	1AE-82151-00-00	. FUSE (30A-BL) .....	2	
17	2GH-82151-00-00	. FUSE (20A-BL) .....	2	
18	42X-82151-00-00	. FUSE (10A-BL) .....	4	
19	90464-13073-00	CLAMP .....	2	
20	90464-12027-00	CLAMP .....	3	
21	98906-06012-00	SCREW, BIND .....	2	
22	90465-13169-00	CLAMP .....	1	
23	3TJ-81960-01-00	RECTIFIER & REGULATOR ASSEMBLY .....	1	
24	91316-06025-00	BOLT .....	2	
25	4DT-82501-00-00	MAIN SWCH STRG LCKSTEERING LOCK .....	1	
26	90149-06228-00	SCREW .....	2	

# ELECTRICAL 2



Ref. No.	Part Number	Description	Qty	Remarks
1	1AE-82540-00-00	NEUTRAL SWITCH ASSEMBLY	1	
2	93210-29196-00	O-RING	1	
3	98502-06016-00	SCREW, PAN HEAD (98501-06014-00)	2	
4	3LD-82541-00-00	WIRE, LEAD	1	
5	2EL-82560-00-00	THERMO SWITCH ASSEMBLY	1	
6	11H-83591-00-00	THERMO UNIT	1	
7	26H-83354-00-00	WIRE, EARTH LEAD 1	1	
8	98580-04008-00	SCREW, PAN HEAD	1	
9	92901-04100-00	WASHER, SPRING	1	
10	92901-04600-00	WASHER, PLATE	1	
11	3YA-83350-00-00	FLASHER RELAY ASSEMBLY	1	UR OMRON
	3YA-83350-10-00	FLASHER RELAY ASSEMBLY	1	UR N.D.
12	2TV-83371-00-00	HORN	1	
13	3VD-2317E-00-00	STAY	1	
14	91026-06010-00	BOLT	1	
15	36Y-81940-00-00	STARTER RELAY ASSEMBLY	1	
16	95701-06500-00	NUT, FLANGE	2	
17	2UJ-81950-00-00	RELAY ASSEMBLY	1	
18	3LD-82566-50-00	SWITCH, SIDE STAND	1	
19	90157-05079-00	SCREW, PAN HEAD	2	
20	90465-13169-00	CALMP	1	
21	3G1-85130-01-00	REAR REFLECTOR ASSEMBLY	2	
22	11H-85110-01-00	REFLECTOR ASSEMBLY	2	
23	95701-05500-00	NUT, FLANGE	4	
24	2LJ-21688-00-00	BRACKET, REAR STAY	1	
25	2LJ-21689-00-00	BRACKET, REAR STAY 2	1	
26	90267-40076-00	RIVET, BLIND	4	
27	90201-044A2-00	WASHER, PLATE	4	

# HANDLE SWITCH - LEVER



3VDI351-1420

Ref. No.	Part Number	Description	Qty	Remarks
1	3VD-83975-00-00	SWITCH, HANDLE 2	1	
2	90157-05057-00	. SCREW, PANHEAD	2	
3	4DT-83973-00-00	SWITCH, HANDLE 3	1	
4	98506-05030-00	. SCREW, PAN HEAD	1	
5	98506-05040-00	. SCREW, PAN HEAD	1	
6	437-83936-01-00	BAND, SWITCH CORD	2	
7	90465-13169-00	CALMP	2	
8	3YX-82911-00-00	HOLDER, LEVER 1	1	
9	3YX-83912-00-00	LEVER 1	1	
10	3YX-82917-00-00	SWITCH	1	
11	90123-08046-00	BOLT	1	
12	90179-08316-00	NUT	1	
13	3YX-83945-00-00	BOLT, LEVER	1	
14	95616-06100-00	NUT, U	1	
15	341-83333-70-00	SCREW, LENS FITTING	1	
16	95026-06020-00	BOLT, FLANGE	1	

## TDM850D, DC 1992 SERVICE DATA

<b>MODEL / MODEL CODE</b>	TDM850D / 4DT TDM850DC / 4DT
<b>INITIAL ENGINE NUMBER / FRAME NUMBER</b>	D: 4DT-000101 / JYA4DTE0( )NA000101 DC: 4DT-004101 / JYA4DTC0( )NA004101
<b>ENGINE:</b>	Liquid-Cooled, 5-Valve, DOHC, 4-Stroke Parallel Twin
Bore / Stroke / Number Cylinders / Displacement	89.5mm / 67.5mm / 2 / 849cc
Piston Skirt Clearance New / Max	0.065 ~ 0.085mm / 0.15mm
Valve Clearance (Cold): Intake / Exhaust	0.15~0.20mm / 0.25~0.30mm
Oil Type: Above 5°C (40°F)	Yamalube 4* or SAE 20W40 SE or SF
Oil Type: Below 15°C (60°F)	Yamalube 4* or SAE 10W30 SE or SF
Capacity: Oil and Filter Change / Oil Change Only	3900cc (4.1 qt) / 3800cc (4.0 qt)
Oil Filter Part Number	4X7-13440-90-00
<b>TRANSMISSION:</b>	
Oil Type / Capacity / Drive Chain Free Play	See ENGINE / ⌀ / 40~50mm (1.6~2.0 in)
<b>MIDDLE GEAR CASE: Oil Type / Capacity</b>	⌀
<b>FINAL GEAR CASE: Oil or Grease Type / Capacity</b>	⌀
<b>FUEL TANK: Main / Reserve / Fuel Type</b>	18 Lit (4.8 gal) / 3.5 Lit (0.93 gal) / Unleaded Regular
<b>COOLING SYSTEM: Coolant Type / Mixing Ratio (Liquid)</b>	Ethylene Glycol - Water / 1:1
<b>CARBURETOR:</b>	
Manufacturer / Type / ID Number	Mikuni / BDST38 / D: 4DT-00 DC: 4DT-10
Main Jet / Pilot Jet / Pilot Screw (Turns Out)	#140 / #37.5 / ⌀
Needle Jet / Jet Needle / Clip Position	Y-4 / SEL79 / Fixed
Slide Cutaway	⌀
Float Height / Fuel Level	⌀ / 7.4~8.4mm (With Special Tool)
Idle rpm	1100 ±50
Max Co⊕ / Max HC⊕ / Set Co⊕	6.0% / 700 ppm / 4.5 ±0.5% @ 1100 rpm
<b>SUSPENSION:</b>	
Front: Oil Type / Level / Quantity	15 wt. Fork Oil* / 165mm / 395cc
Gas or Air Pressure Min ~ Max / Standard	⌀
Rear: Gas or Air Pressure Min ~ Max / Standard	⌀ / 12kg/cm <sup>2</sup> (171 psi)
<b>TIRES: Size / Nominal Pressure: Front</b>	110/80-18 58H / 2 kg/cm <sup>2</sup> (28 psi)
Size / Nominal Pressure: Rear	150/70-17 69H / 2.25 kg/cm <sup>2</sup> (32 psi)
<b>CHARGING SYSTEM:</b>	AC Generator
Battery: Model / Specific Gravity / Charge Rate	YTX12-BS or GTX12-BS / 1.320 / 1.2A
Maximum Output	14V25A @ 5000 rpm
Field Coil Rotor Ω	⌀
Stator Coil Color Code / Ω	W ~ W / 0.25Ω ±20%
Charge Coil Color Code / Ω	⌀ / ⌀
<b>IGNITION SYSTEM:</b>	Transistor Controlled (Digital)
Ignition Timing	10° @ 1200 rpm Full advance 42° @ 5000 rpm
Spark Plug Type	NGK DPR9EA-9 or ND X27EPR-U9
Spark Plug Gap / Torque / Cap Ω	0.8~0.9mm / 1.75m·kg (13 ft·lb) / 10KΩ
Ignition Coil Test Gap / Primary Ω / Secondary Ω	6mm / 2.8Ω ±15% / 15KΩ ±20%
Pulser Coil or Pickup Coil Color Code / Ω	L-Y ~ G-W / 230Ω ±20%
Source Coil Color Code / Ω	⌀

⌀ = Does not apply to this model  
NA = Information not available

\* = Available from YPAD  
⊕ = For diagnostic use only

<b>LIGHTING SYSTEM</b>	
Headlight / Taillight / Turn Signal	12V35-35W (2) / 12V8-27W / 12V27W
Lighting Coil Color Code / Ω	⌀
<b>TORQUE VALUES:</b>	
Front Axle Nut	M16: 5.8m·kg (42 ft·lb)
Front Axle Holder Nut	M8: 1.9m·kg (13 ft·lb)
Rear Axle Nut	M16: 10.5m·kg (75 ft·lb)
Rear Axle Pinch Bolt	⌀
Clutch Nut	M20: 7.0m·kg (50 ft·lb)
Drain Plug	M14: 3.5m·kg (25 ft·lb)
Flywheel Nut	M12: 13.0m·kg (94 ft·lb)
Cylinder Head Cover Bolt	M6: 1.0m·kg (7 ft·lb)
Cylinder Head: Nut, Cap	M10: 4.0m·kg (29 ft·lb)
Stud Bolt, Cam Chain	M6: 0.5m·kg (3.6 ft·lb)
Stud Bolt, Exhaust Pipe	M8: 1.5m·kg (11 ft·lb)
Engine Mounting Bolts: Lower, rear	M10: 6.4m·kg (46 ft·lb)
Upper, rear	M10: 6.4m·kg (46 ft·lb)
Bracket, upper	M10: 6.0m·kg (43 ft·lb)
Bracket, rear lower	M8: 3.0m·kg (22 ft·lb)
Pivot Shaft & Rear Shock Absorber	M10: 6.4m·kg (46 ft·lb)
Spark Plug	1.75m·kg (13 ft·lb)
<b>SERVICE LITERATURE:</b>	
Owner's Manual	LIT-11626-08-29
Service Manual	LIT-11616-08-29
Assembly Manual	LIT-11666-08-29
Consumer Information	LIT-11656-04-80

⌀ = Does not apply to this model  
NA = Information not available

\* = Available from YPAD  
⊕ = For diagnostic use only

<b>LIGHTING SYSTEM</b>	
Headlight / Taillight / Turn Signal	12V35-35W (2) / 12V8-27W / 12V27W
Lighting Coil Color Code / $\Omega$	Ø
<b>TORQUE VALUES:</b>	
Front Axle Nut	M16: 5.8m-kg (42 ft-lb)
Front Axle Holder Nut	M8: 1.9m-kg (13 ft-lb)
Rear Axle Nut	M16: 10.5m-kg (75 ft-lb)
Rear Axle Pinch Bolt	Ø
Clutch Nut	M20: 7.0m-kg (50 ft-lb)
Drain Plug	M14: 3.5m-kg (25 ft-lb)
Flywheel Nut	M12: 13.0m-kg (94 ft-lb)
Cylinder Head Cover Bolt	M6: 1.0m-kg (7 ft-lb)
Cylinder Head: Nut, Cap	M10: 4.0m-kg (29 ft-lb)
Stud Bolt, Cam Chain	M6: 0.5m-kg (3.6 ft-lb)
Stud Bolt, Exhaust Pipe	M8: 1.5m-kg (11 ft-lb)
Engine Mounting Bolts: Lower, rear	M10: 6.4m-kg (46 ft-lb)
Upper, rear	M10: 6.4m-kg (46 ft-lb)
Bracket, upper	M10: 6.0m-kg (43 ft-lb)
Bracket, rear lower	M8: 3.0m-kg (22 ft-lb)
Pivot Shaft & Rear Shock Absorber	M10: 6.4m-kg (46 ft-lb)
Spark Plug	1.75m-kg (13 ft-lb)
<b>SERVICE LITERATURE:</b>	
Owner's Manual	LIT-11626-08-29
Service Manual	LIT-11616-08-29
Assembly Manual	LIT-11666-08-29
Consumer Information	LIT-11656-04-60

Ø = Does not apply to this model

NA = Information not available

\* = Available from YPAD

⊕ = For diagnostic use only